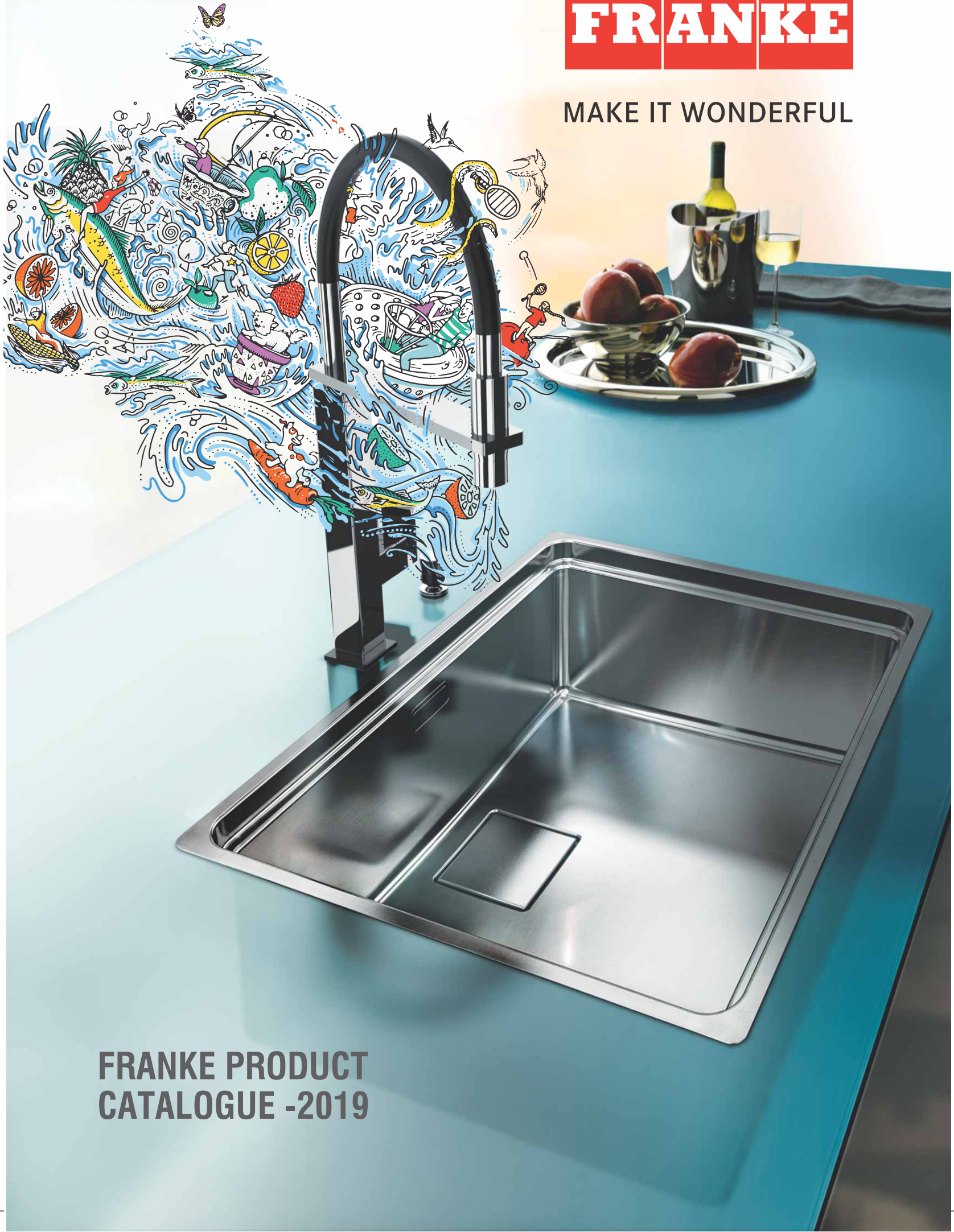


FRANKE

MAKE IT WONDERFUL



**FRANKE PRODUCT
CATALOGUE -2019**



GLOBAL FOOTPRINT



The Artemis Group includes the Franke Group, the Artemis Real Estate Group (real estate portfolio in Switzerland and abroad), a majority holding in the Feintool Group (world market leader in fineblanking technology) and the Artemis Asset Management Group (various strategic shareholdings in international companies listed on the Swiss stock market and in private companies). Franke is a world leading provider of products and solutions for residential kitchens and bathrooms, professional foodservice, coffee preparation and semi-/public washrooms. The Artemis Group has about 9,000 employees in 40 countries. In 2018, the group generated consolidated Net sales 2.1 billion CHF.

Franke Artemis Group Core Business

GLOBAL POSITION

FRANKE KITCHEN SYSTEMS		No.1	
FRANKE FOOD SERVICE SYSTEMS		No.1	
FRANKE COFFEE SYSTEMS		No.2	
FRANKE WATER SYSTEMS		No.3	
FRANKE BEVERAGE SYSTEMS		No.1	

ADVANTAGE FRANKE - High Grade Materials

TECTONITE®

Made in The Netherlands.

TECTONITE® is the latest innovation by Franke – made of TECTONITE®, which is a hi-tech, light but strong synthetic material that gives you amazing advantages:

- It is extreme temperature resistant (230-300 degrees)
- It is scratch resistant and has a super smooth and easy to clean texture
- It is resistant to chemicals used in the kitchen (vinegar, tomato sauce, etc.)
- It has a UV resistant coating (its colour will not change)
- It is a 100% recyclable material
- It is available in three high tech colours: carbon black, arctic white and coffee
- It has a five year warranty

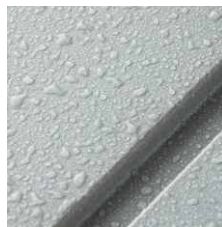


TECTONITE® Technology



Beautiful and Strong

A great looking and smooth surface, the TECTONITE® material prevents scuffing or scratching. It is also easy to clean and doesn't lose colour.



3rd Generation Coating

A new coating called PiMC (Power in Mold Coating) gives a protective layer providing strength to the material and protecting its colour.



Exclusive Texture

It is finished with an exclusive texture that coats the sink and repels water and dirt to keep the surface looking as good as new.

AUSTENITIC STAINLESS STEELS (SS 304 - AUSTENITIC GRADE)

All Franke Stainless steel sinks are manufactured using only SS 304 Austenitic grade. Austenitic stainless steel are chromium & nickel containing stainless steel with very low carbon content. Austenitic 304 stainless steels formed through the generous use of austenitizing elements such as nickel, manganese and nitrogen. Chromium content is range of 18% and nickel content in range of 8%. They are non-magnetic but can become slightly magnetic when cold worked. Cold working also enhances their strength. Austenitic stainless steel have mechanical properties over a wide range of temperatures. In addition, these steel are easy to clean, which enhances their use in applications in hygienic and sterile environments.



AISI
18/10
SS304

18/10: 18% Chromium and 10% Nickel

This material is used in Neptune

AISI
18/8
SS304

18/8: 18% Chromium and 8% Nickel

This material is used in 610/611, 620, 621, 651 and Adrian Series

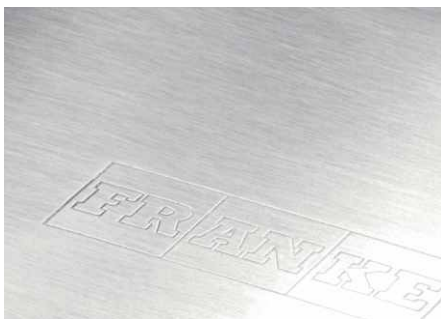


SUPERIOR FINISHES & PERFORMANCES



Microdecor Finish

The distinctive pattern of Microdecor steel is so light as to be almost invisible, recalling the effect of aluminum and giving the steel a unique, inimitable appearance. Any scratches only damage the tiny convex areas of the surface, while the imperceptible concave zones prevent the formation of visible marks.



European Satin Finish

Franke uses a unique process of brush polishing on CNC controlled latest technology machine along with special "Franke" ATL-F22 paste that gives product surface a smooth European Satin finish with good aesthetic look. This makes it best suitable for all kitchen applications since it is prone to scratching during daily usages.

WARRANTY



25 Year Warranty

All Franke Stainless Steel Sinks are guaranteed for 25 Year against faulty workmanship and material.



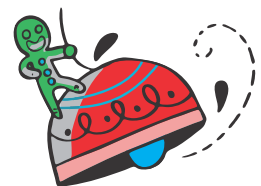
5 Year Warranty

All Franke Color Sinks are guaranteed for 5 Year against faulty workmanship and material.



1 Year Warranty

All Franke Taps, Bio Waste Disposer, Plumbing Kit , Roller Mat and Accessories are guaranteed for 1 Year against faulty workmanship and material.



DISCLAIMER

The overall sizes & bowl sizes indicated are in mm and inches, Which are rounded off to the nearest decimal. For Granite Cutting please refer the dimensions from actual product only. Franke will not be responsible for any mistake during granite cutting. Franke reserves the right to alter models, prices and specification without any prior notice.

TECHNOLOGY IN STAINLESS STEEL SINKS

A world leader in the production of sinks, Franke offers a unique range of products comprising models at the very pinnacle of functionality and design, complete with various accessories that epitomize practicality and efficiency.

Exclusive treatments: To further improve the quality of the steel, enhance the sheen and increase its resistance to wear, Franke carries out exclusive brushing and polishing treatments. The treatment, applied to hobs and sinks alike, also enhances the visual aspect of each solution.



Years of research and experimentation have allowed Franke to guarantee the use of premium quality raw materials and the creation of excellent finished products in terms of: form and function; ease of use and total safety; water and energy savings with environmental protection in mind.

Only The Best Steel:

Franke luxury collection offers AISI 304 18/10 steel for the manufacture of its sinks. This stainless steel is highly resistant to rust and to the aggressive action of acids and chemical products.

Differentiated Solutions:

Franke offers built-in, under-top and top-flush solutions to satisfy all sink integration requirements while enhancing visual appeal and practicality.



TECHNOLOGY IN STAINLESS STEEL SINKS

Innovative Steel: Franke has always been committed to researching innovative material combining beauty, quality and performance.

Satin Finish Steel: Franke enhances its durable and flexible steel with an exclusive non-scratch satin finish for lasting elegance and practicality.

Decor And Microdecor Steel: Designed to protect from scratches, abrasion and corrosive agents, Franke patented Decor and Microdecor finishes create a stunning aluminum effect, enhancing shapes and emphasizing the elegance of each design.



Rules for keeping steel in perfect condition:

Stainless steel is easy to clean and extremely hygienic. In fact, its smooth, non-porous surface makes it difficult for bacteria and micro-organisms to survive. The best way of caring for steel, to keep it bright and shiny and prevent scratches or unsightly marks, is to follow these few simple rules:

- The first time you use it, take extra care when treating and rinsing the surface, to avoid contact with aggressive detergents and prevent ferrous substances in the pipes from being deposited
- Always use cleaning products specifically formulated for stainless steel and do not use detergents containing chlorine, bleach, hydrochloric acid or limescale removal agents
- When cleaning, use soft cloths and not abrasive sponges or metal scourers
- Always rinse thoroughly
- Never leave wet sponges or utensils containing iron on the surface for long periods of time
- Only store containers of detergent or acidic chemical products under the sink once they have been closed



CENTINOX - CEX 210/610-50

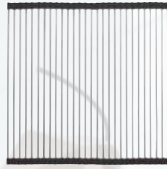
Accessories
included

1



Strainer Bowl
112.0172.453

2



New Rollmat CEX
112.0173.411

3



112.0173.062

4

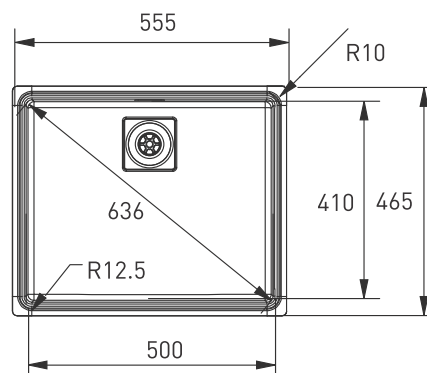


112.0173.587



CENTINOX - Black Satin Finish

CEX 210^{DP}/610-50

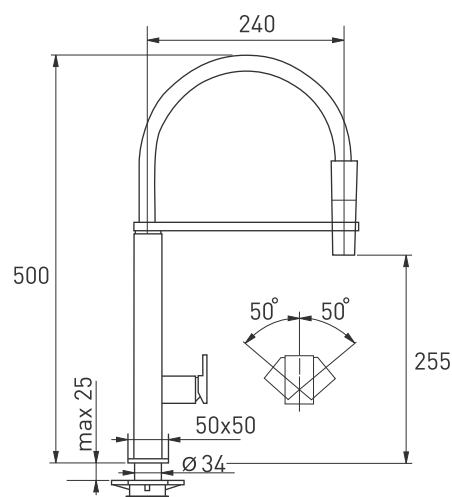


Fun:	Dimension: (LxM)mm	Bowl Size: (LxWxD)mm	MRP: Rs.
127.0179.077	555x465	500x410x200	97,490/-

- State-of-the-art Centenary design
- Formed from the highest grade Stainless Steel 304 18/ 1 0
- Complete with three tiered accessories
- Created to fit perfectly in functionality and design
- Supplied with Basket Strainer Waste
- Won the Red Dot award for the best product design



CEX 210



Fun:	MRP: Rs.
115.0174.709	38,990/-

This is the new Franke Centinox tap with pull-out spray. The effect is achieved by a black rubber spray hose held in place by a false spout, which forms an eye-catching c-spout design with a modern twist.

Key Features

- Rubber spray hose in the shape of a c-spout
- Square cubic design
- Formed from the highest grade Stainless Steel 304 18/ 10
- 360° rotatable
- KEROX Cartridge

*Luxury collection series

SINOS - European Satin Finish

Accessories included

1



Chrome Finish

133.0256.086

Stainless Steel Finish

133.0256.088

2



Lock-in Bowl

112.0081.492

3



Strainer Bowl

112.0081.491

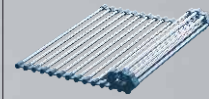
4



New Chopping Board

112.0255.966

5



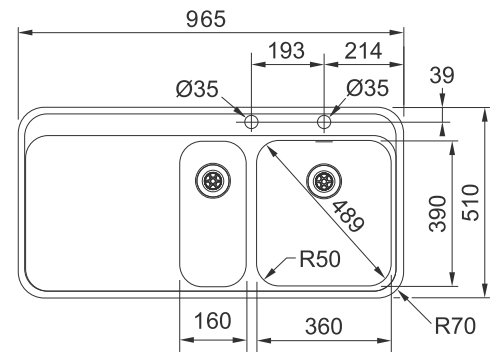
Rolling Mat

112.0256.867



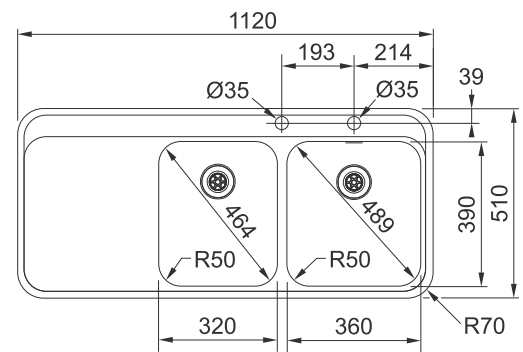
SINOS - European Satin Finish

SNX 251 LHD



Fun:	Dimension: (LxM) mm	Bowl Size: (LxWxD) mm	MRP: Rs.
LHD: 127.0254.292	965x510	60x390x120 & 360x390x120	85,000/-
RHD : 127.0254.294			

SNX 221 LHD



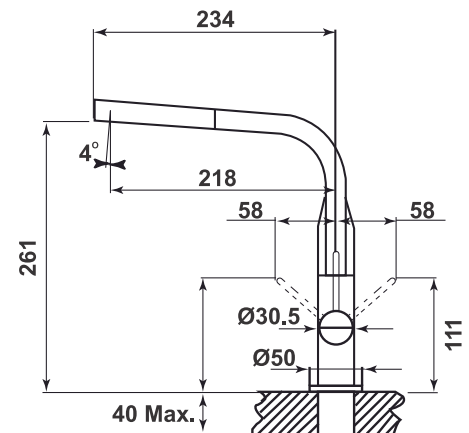
Fun:	Dimension: (LxM) mm	Bowl Size: (LxWxD) mm	MRP: Rs.
LHD: 127.0254.287	1120x510	320x390x175 & 360x390x175	100,000/-
RHD : 127.0254.289			

SINOS TAP



- Chrome Finish
- KEROX Cartridge

Fun:	MRP: Rs.
115.0260.562	40,000/-



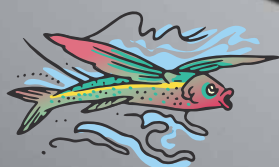
- Patented design as per EcoDesign guidelines which stand for sustainability in development
- Shiny drainer designed for water to drain effortlessly in the bowl
- Round shape to suit all styles of kitchen from Classic to Designer

*Luxury collection series

NEPTUNE - Microdecor Finish

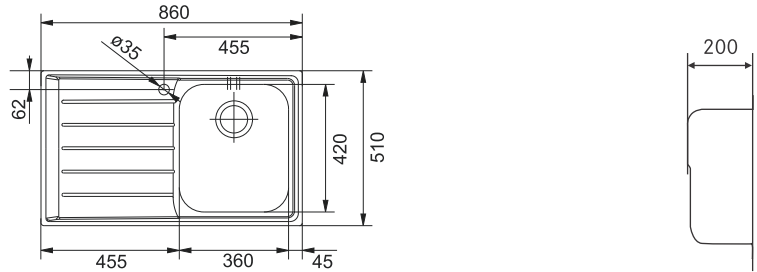
Microdecor Finish

The distinctive pattern of Microdecor Steel is so light as to be almost invisible, recalling the effect of aluminum and giving the steel a unique, inimitable appearance. Any scratches only damage the tiny convex areas of the surface, while the imperceptible concave zones prevent the formation of visible marks.



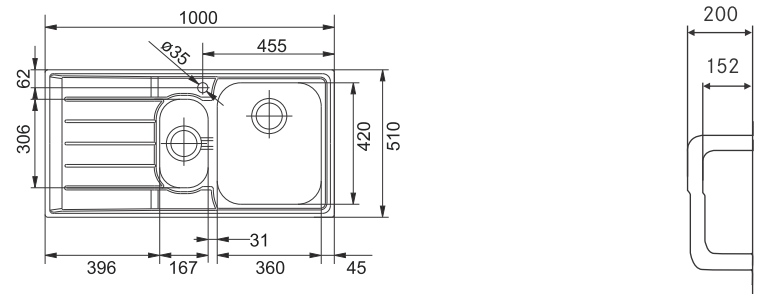
NEPTUNE - Microdecor Finish

NET 611



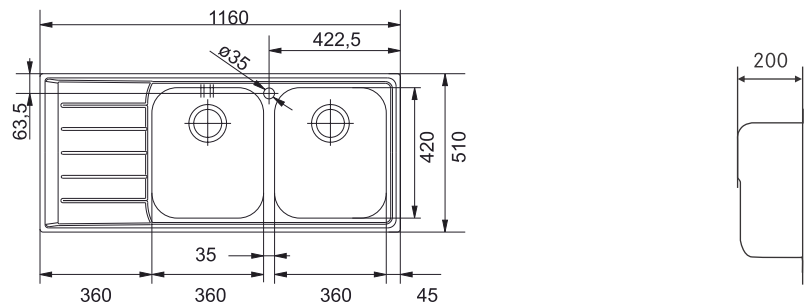
Fun:	Dimension: (LxM)mm	Bowl Size: (LxWxD)mm	MRP: Rs.
RHD:101.0262.014	860x510	360x420x200	21,800/-
LHD:101.0262.013	860x510	360x420x200	21,800/-

NET 651



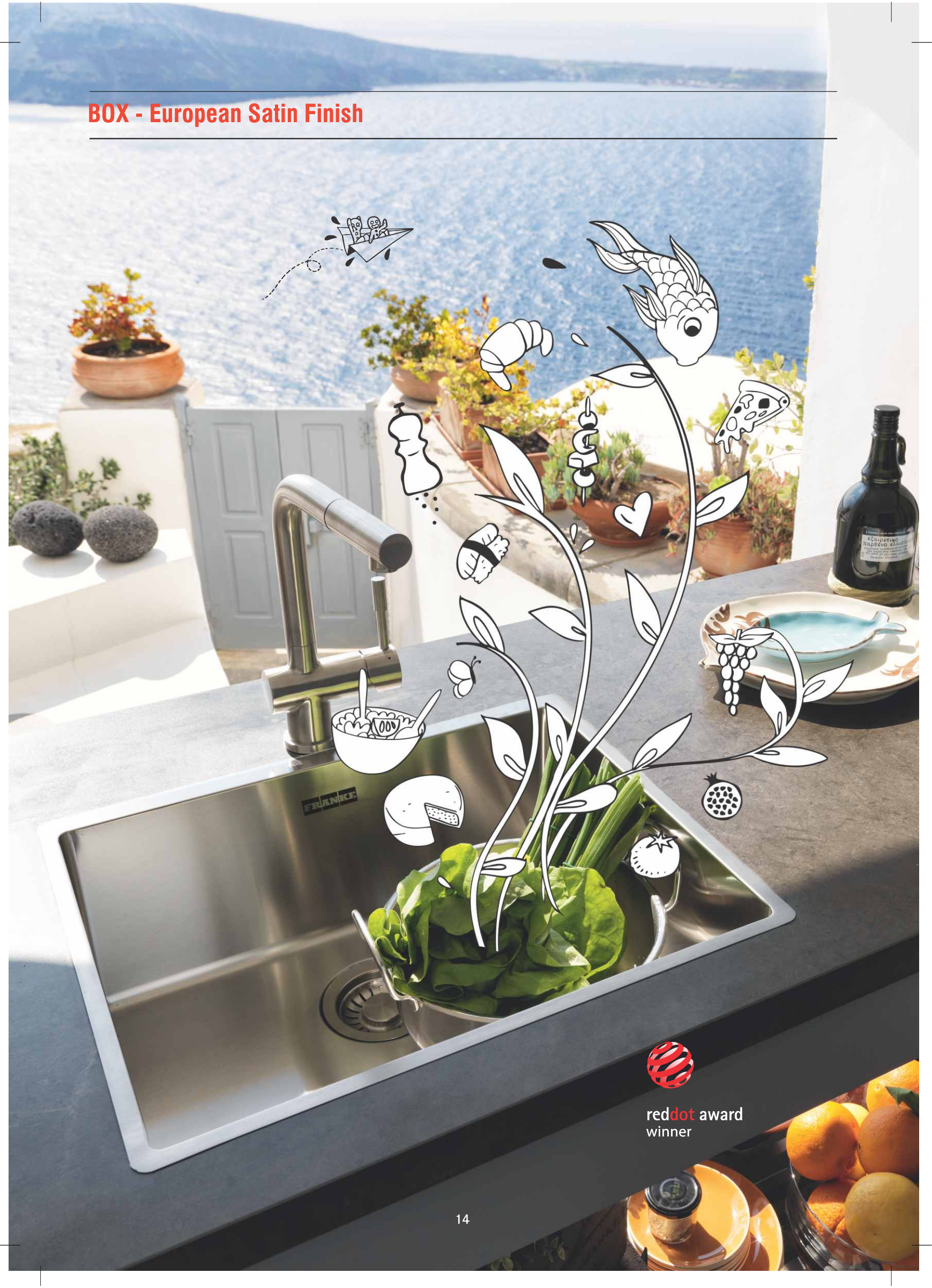
Fun:	Dimension: (LxM)mm	Bowl Size: (LxWxD)mm	MRP: Rs.
RHD:101.0253.263	1000x510	360x420x200/167x306x152	28,200/-
LHD:101.0253.836	1000x510	360x420x200/167x306x152	28,200/-

NET 621



Fun:	Dimension: (LxM)mm	Bowl Size: (LxWxD)mm	MRP: Rs.
RHD:101.0253.262	1160x510	2*360x420x200	31,200/-
LHD:101.0261.835	1160x510	2*360x420x200	31,200/-

BOX - European Satin Finish

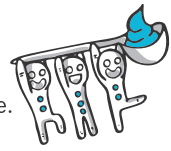


red dot award
winner

BOX - European Satin Finish

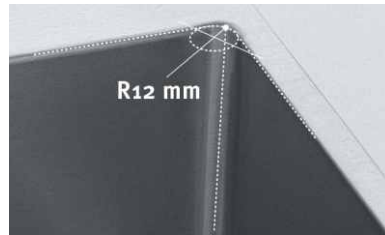
INSTALL PERFECTION IN A MOMENT

A Red Dot award-winner for best-in-class design, the Box range of sinks helps you get the job done simply and with style.



- Easy to install as a built-in sink, slimtop or undermount
- Premium quality stainless steel. High stain and corrosion resistance

Features:



R12 mm Radius, Free from sludge deposition.



Seamless Rim with Elegant match to counter top.



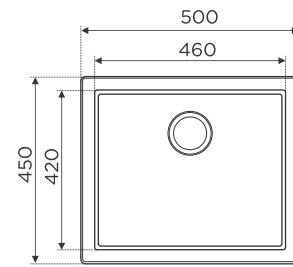
Suited for Under Mount also



BOX - European Satin Finish

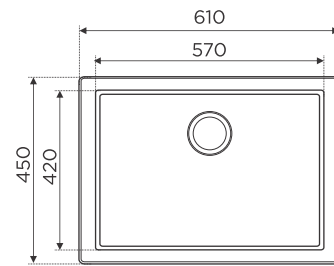


BXX 210/110-46(20"x18")



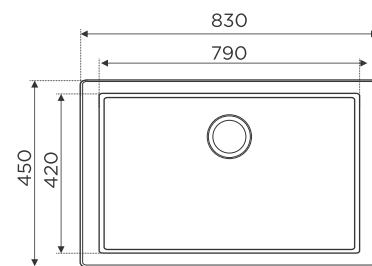
Fun:	Dimension: (LxW) mm / (inch)	Bowl Size: (LxWxD)mm	MRP: Rs.
127.0516.111	500 x 450 / 20x18	460 x 420 x 210	10,290/-

BXX 210/110-57(24"x18")



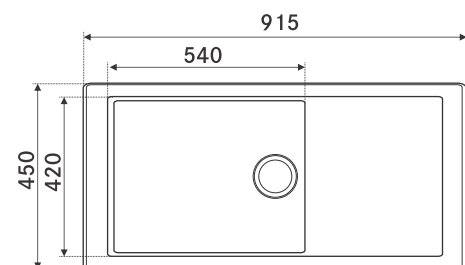
Fun:	Dimension: (LxW) mm / (inch)	Bowl Size: (LxWxD)mm	MRP: Rs.
127.0516.112	610 x 450 / 24x18	570 x 420 x 210	11,990/-

BXX 210/110-79(33"x18")



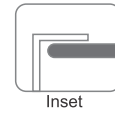
Fun:	Dimension: (LxW) mm / (inch)	Bowl Size: (LxWxD)mm	MRP: Rs.
127.0516.115	830x 450 / 33x18	790 x 420 x 210	12,990/-

BXX 211/111-54(36"x18")

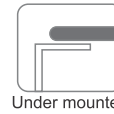


Fun:	Dimension: (LxW) mm / inch	Bowl Size: (LxWxD) mm	MRP: Rs.
127.0516.116	915 x 450 / 36x18	540 x 420 x 210	15,990/-

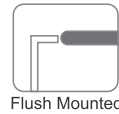
BOX - European Satin Finish



Inset

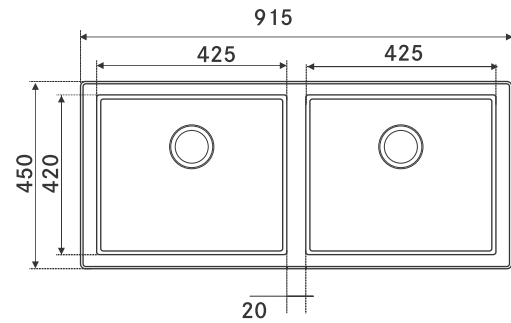


Under mounted



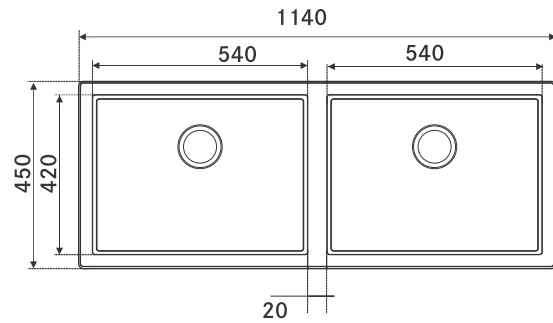
Flush Mounted

BXX 220/120 42-42(36"x18")



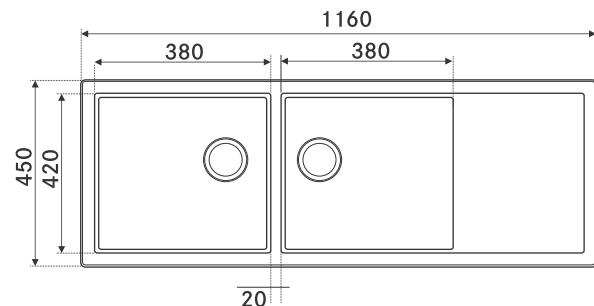
Fun:	Dimension: (LxW) mm / inch	Bowl Size: (LxWxD) mm	MRP: Rs.
127.0577.938	915 x 450 / 36x18	2*425 x 420 x 210	17,490/-

BXX 220/120 54-54(45"x18")



Fun:	Dimension: (LxW) mm / inch	Bowl Size: (LxWxD) mm	MRP: Rs.
127.0516.117	1140 x 450 / 45x18	2*540 x 420 x 210	19,490/-

BXX 221/121 38-38(46"x18")



Fun:	Dimension: (LxW) mm / inch	Bowl Size: (LxWxD) mm	MRP: Rs.
127.0516.119	1160 x 450 / 46x18	2*380 x 420 x 210	20,990/-

*Designer collection series

BELL - European Satin Finish



Accessories

Accessories Package:

112.0498.609 - 1

112.0498.610 - 2



Chopping Board



Plastic Colander

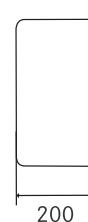
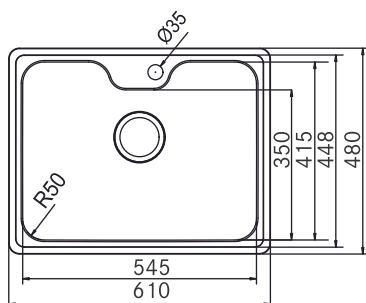


Wire Basket



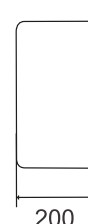
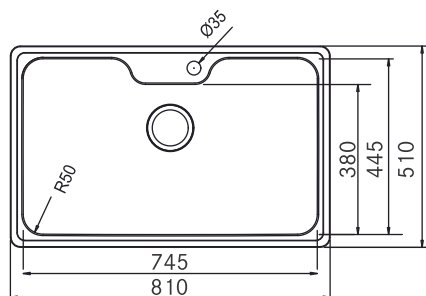
BELL - European Satin Finish

BCX 610-61(24"x18") (Accessories 1 Included)



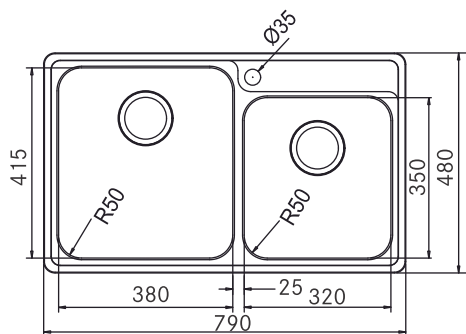
Fun:	Dimension: (LxW) mm / inch	Bowl Size: (LxWxD) mm	MRP: Rs.
101.0489.050	610x480 / 24x18	545x448x200	15,590/-

BCX 610-81(33"x20") (Accessories 2 Included)



Fun:	Dimension: (LxW) mm / inch	Bowl Size: (LxWxD) mm	MRP: Rs.
101.0489.191	810x510 / 33x20	745x445x200	17,590/-

BCX 620-38/32(32"x18") (Accessories 1 Included)



Fun:	Dimension: (LxW) mm / inch	Bowl Size: (LxWxD) mm	MRP: Rs.
101.0489.192	790x480/32x18	380x150x180 & 320x350x160	19,590/-

*Designer collection series

Artisan - European Satin Finish

"Designed in Switzerland" 

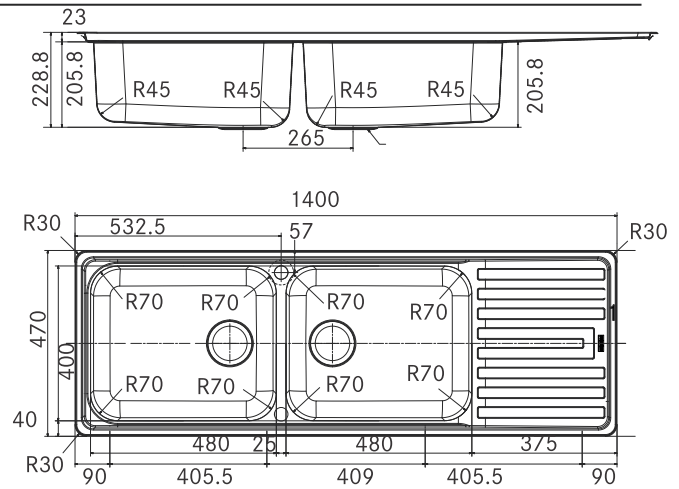
Internationally respected promises of innovation, quality and design.

The new minimalistic bowl covers nearly all planning needs forming an elegant unit with any counter-top (natural or artificial).



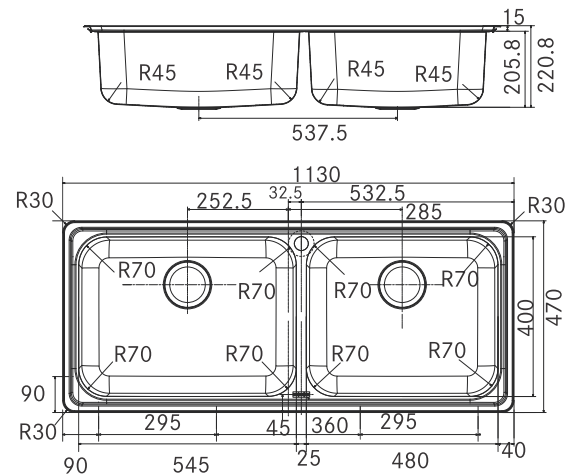
Artisan - European Satin Finish

RSX 621(55"x18")



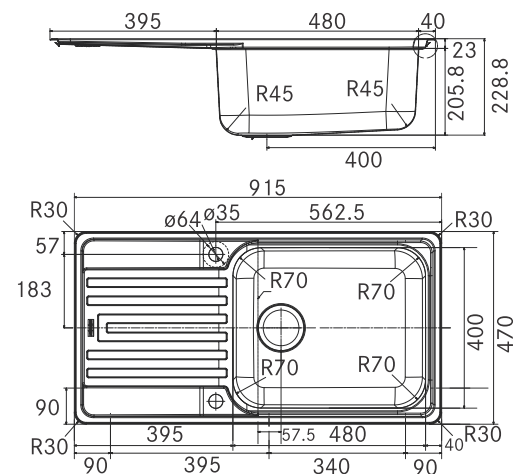
Fun:	Dimension: (LxW) inch	Bowl Size: (LxWxD) mm	MRP: Rs.
101.0539.496	55x18	2x (480 x 400 x 228.8)	18,590/-

RSX 620-55-48 (45"x18")



Fun:	Dimension: (LxW) inch	Bowl Size: (LxWxD) mm	MRP: Rs.
101.0536.744	45x18	545 x 400 x 220.8 & 480 x 400 x 220.8	17,990/-

RSX 611-91 (36"x18")

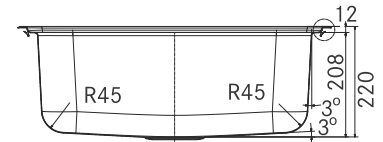
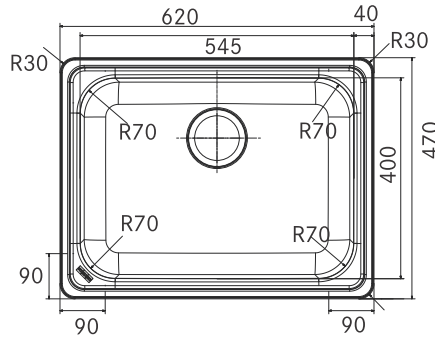


Fun:	Dimension: (LxW) inch	Bowl Size: (LxWxD) mm	MRP: Rs.
101.0539.493	36x18	480 x 400 x 228.8	8,490/-

*Designer collection series

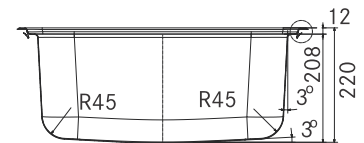
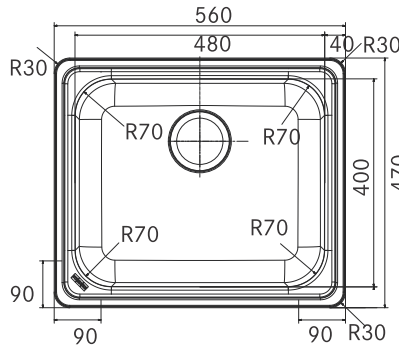
Artisan - European Satin Finish

RSX 610-63 (24"x18")



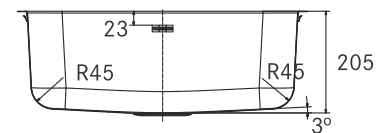
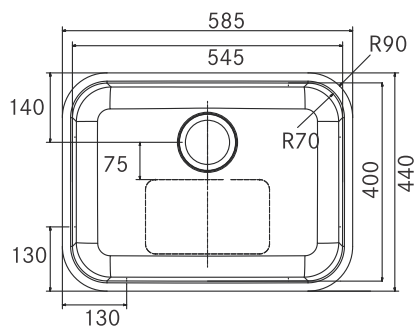
Fun:	Dimension: (LxW) inch	Bowl Size: (LxWxD) mm	MRP: Rs.
101.0539.491	24x18	545 x 400 x 220	6,790/-

RSX 610-56 (22"x18")



Fun:	Dimension: (LxW) inch	Bowl Size: (LxWxD) mm	MRP: Rs.
101.0539.492	22x18	480x 400 x 220	5,890/-

RSX 210-55 (23"x18")



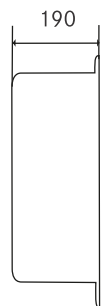
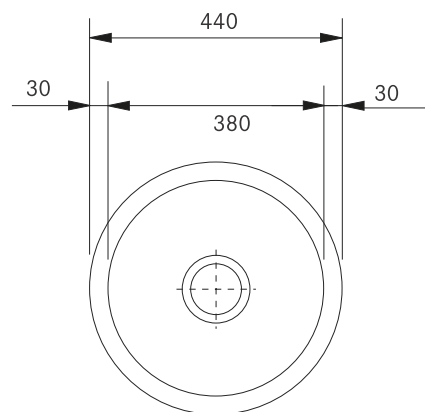
Fun:	Dimension: (LxW) mm / inch	Bowl Size: (LxWxD) mm	MRP: Rs.
127.0544.091	23x18	545 x 400 x 205	6,090/-

*Designer collection series

LUGANO - European Satin Finish

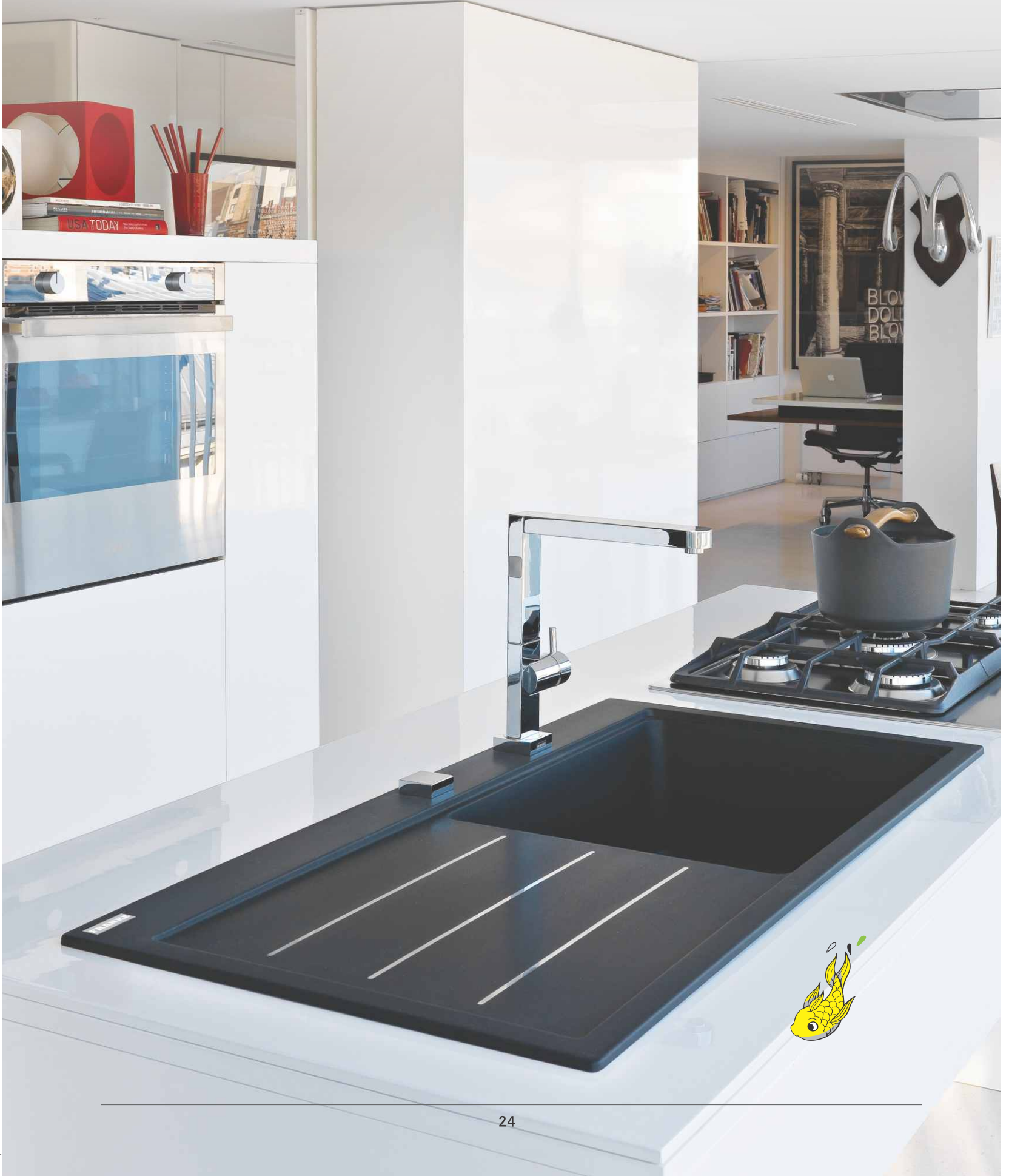


LUX 610



Fun:	Diameter: (Ø)mm	Bowl Size: (ØxDepth)mm	MRP: Rs.
101.0253.181	440	380x190	6,990/-

FRAGRANITE SINK





FRAGRANITE

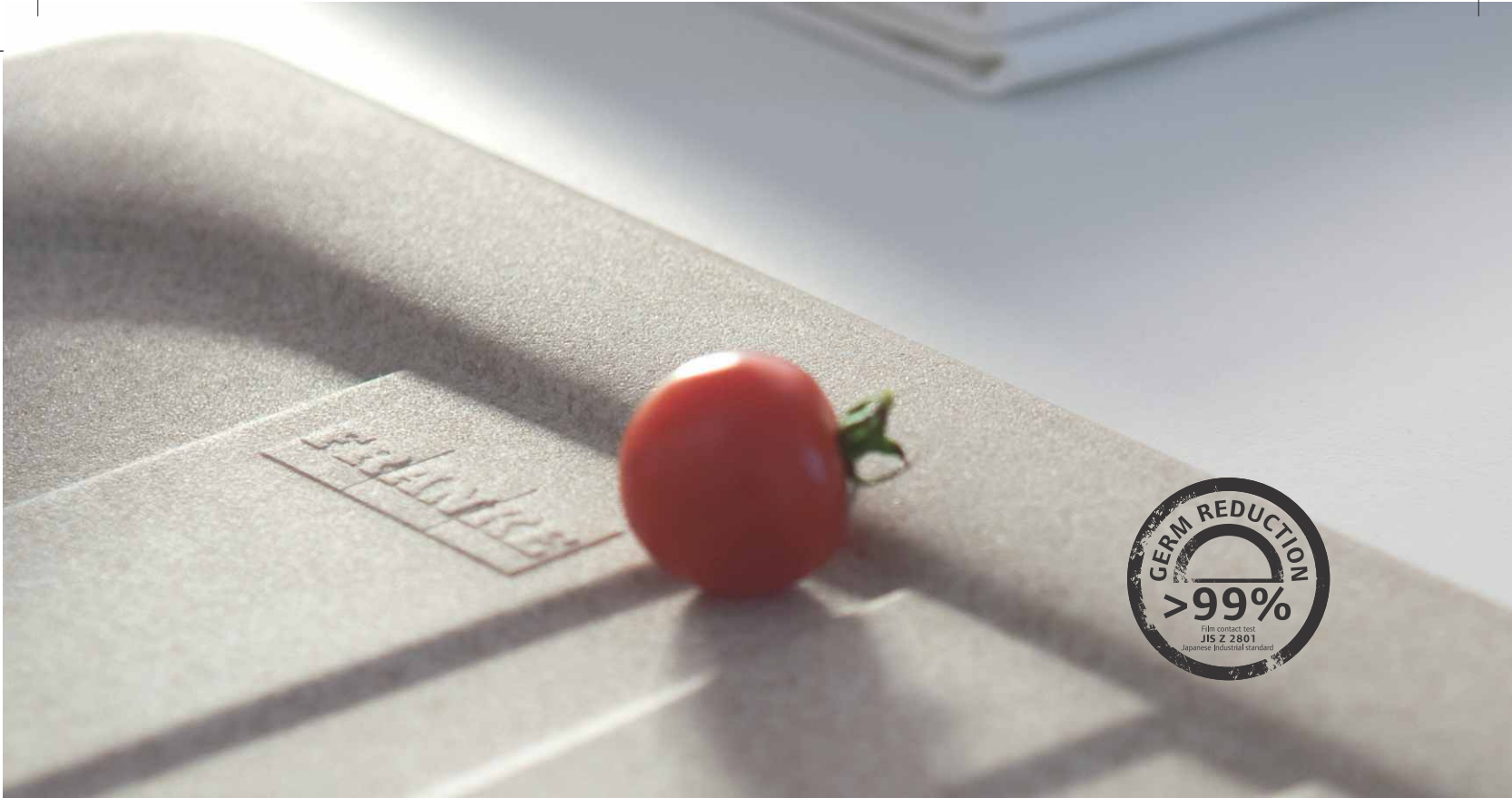
Following extensive testing and development, new Fraganite tackles the humble cleaning problem associated with composite sinks. The revolutionary new Fraganite+ technology is now available on all Franke Fraganite and Silk Sheen Fraganite sinks, which now enjoy ultra-smooth surfaces that are exceptionally easy to keep clean.

Kitchens can be a fertile breeding ground for bacteria, mold and mildew, which can lead to material damage and cause unpleasant odors and stains. On unprotected material, bacteria levels can increase every 20 minutes. The integrated Sanitized® protective function in Fraganite sinks helps to keep this area clean and provides the sink with lasting protection. It does not replace normal cleaning practices, but helps to keep surfaces clean. Fraganite treated with Sanitized® reduces bacterial odors by 99%. Sanitized® protective function helps to keep sink surfaces clean by reducing the growth of bacterial odors, mold and mildew even between cleaning.

The granite particles bonded together during manufacture are now smaller, creating a smoother, flatter surface, reducing the chances for lime scale to build up. It is also far more difficult for residue, food particles and bacteria to accumulate in between the granules, which greatly improves hygiene.

Tested against leading competitors, DuraKleen® Plus comes up trumps on stain resistance. Even after being left to sit on the sink for 18 hours, the toughest stains like beetroot, permanent marker, red wine and iodine can simply be wiped clean away.





SANITIZED®

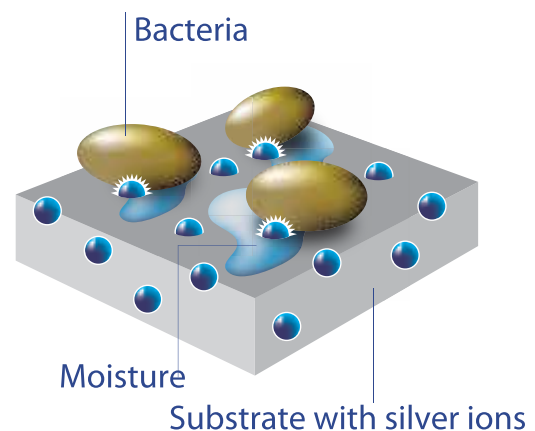


With all the foodstuff around in both raw and cooked states and at various stages of the process of cooking, kitchens are an obvious breeding ground for bacteria. Therefore, as an area that's critical to keep clean and bacteria-free, they need special attention to be paid to them.

On unprotected material, bacteria can multiply every 20 minutes and have a seriously adverse effect on hygiene. The possibility of transferring bacteria is also higher on untreated material. Which is why we have designed our Fraganite sinks with an integrated Sanitized® hygiene function. This helps to keep the area clean and provides the sink with lasting protection. It does not replace normal cleaning but helps to keep surfaces free from bacteria. Tests have proven that Fraganite treated with Sanitized® reduces bacteria and microbe growth by as much as 99%.

Sanitized® also helps to keep the sink surface hygienic and protected from bacteria and microbe growth after and in between normal cleaning cycles. So, all in all, you have an almost-bacteria-free washing-up area.

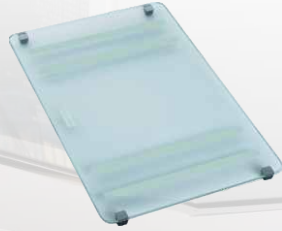
The silver ion locates the bacteria via the moisture and deactivates it.



MYTHOS FUSION - FrAGRanite Sanitized Coating Finish

Accessories

1



112.0046.415 (Included)

2



112.0017.788 (Included)

3

Optional

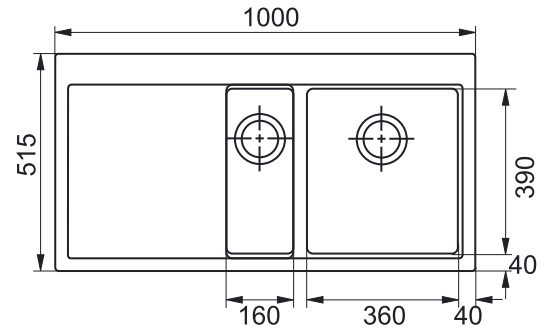


112.0030.882



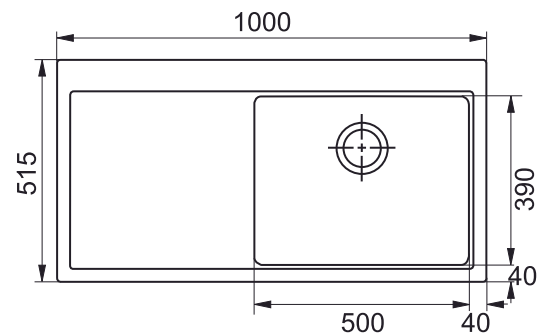
MYTHOS FUSION - Fraganite Sanitized Coating Finish

MTF 651-1000 x 515 LHD



Fun:	Dimension: (LxM)mm	Bowl Size: (LxWxD)mm	MRP: Rs.
114.0156.992	1000x515	360x390x214 & 160x390x153	54,990/-

MTF 611 -1000 x 515 RHD



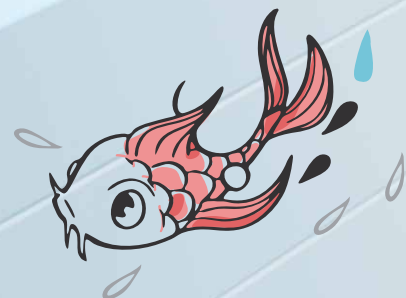
Fun:	Dimension: (LxM)mm	Bowl Size: (LxWxD)mm	MRP: Rs.
114.0157.287	1000x515	500x390x214	53,790/-



- The most sought after shape and design, now featuring Stainless Steel 304 18/ 10 ribs which are completely flat and fused into the sink drainer.
- Includes slide and glide glass food preparation platter.
- Stainless Steel 304 18/ 10 strainer bowl.

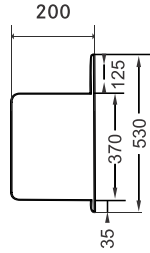
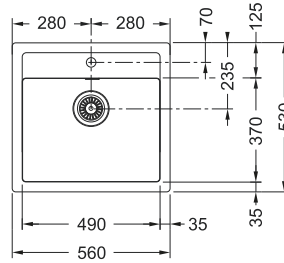
*Luxury collection series

TECTONITE®



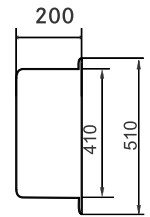
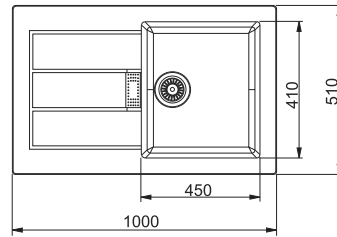
TECTONITE®

Tectonite 610 (22"x20")



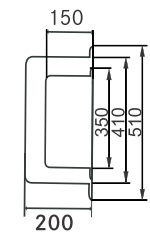
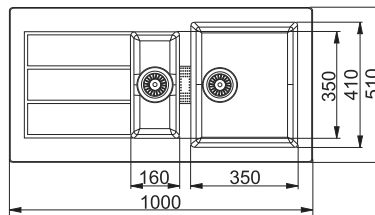
Fun:	Dimension: (LxW) mm/ (inch)	Bowl Size: (LxWxD)mm	MRP: Rs.
CB: 114.0279.873	560x530/22x20	490x370x200	9,990/-

Tectonite 611(40"x20")



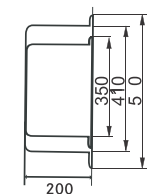
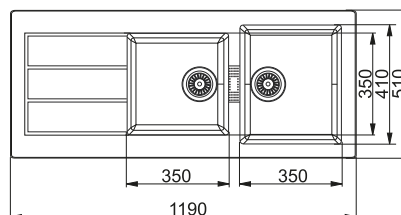
Fun:	Dimension: (LxW) mm/ (inch)	Bowl Size: (LxWxD)mm	MRP: Rs.
CB: 114.0253.15	1000x515/40x20	450x410x200	16,400/-

Tectonite 651 (40"x20")



Fun:	Dimension: (LxW) mm/ (inch)	Bowl Size: (LxWxD)mm	MRP: Rs.
CB: 114.0253.160	1000x510/40x20	350x410x200 & 160x350x150	18,400/-

Tectonite 621 (46"x20")



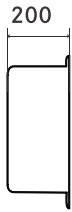
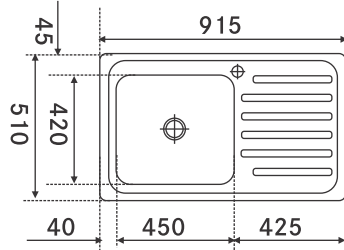
Fun:	Dimension: (LxW) mm/ (inch)	Bowl Size: (LxWxD)mm	MRP: Rs.
CB: 114.0253.281	1190x510/46x20	350x410x200 & 350x350x150	21,800/-

ADRIAN - Microdecor / European Satin Finish



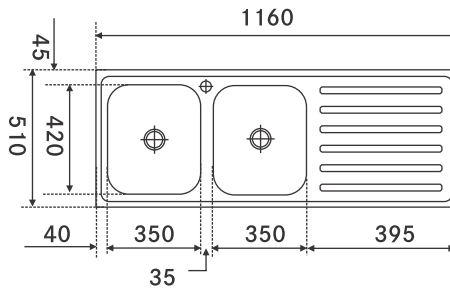
ADRIAN - European Satin Finish

ADRIAN 6110mni (36"x20")



Fun:	Dimension: (LxW) mm / inch	Bowl Size: (LxWxD) mm	MRP: Rs.
101.0258.689	915x510/36x20	450x420x200	9,600/-

ADRIAN 621Trendy (46"x20")

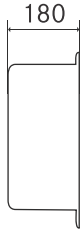
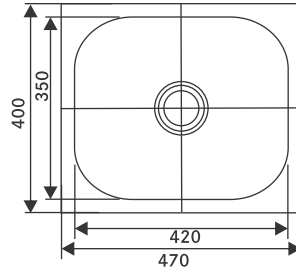


Fun:	Dimension: (LxW) mm / inch	Bowl Size: (LxWxD) mm	MRP: Rs.
101.0258.710	1160x510/46x20	2*350x420x180	16,300/-



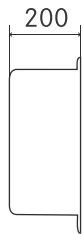
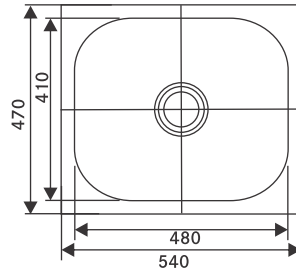
610 SERIES - European Satin Finish

610 X Trendy (19"x16")



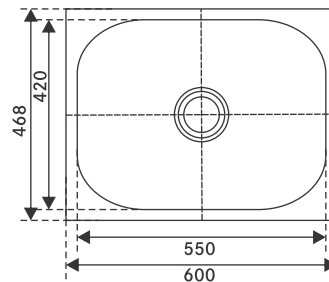
Fun:	Dimension: (LxW) mm / inch	Bowl Size: (LxWxD) mm	MRP: Rs.
101.0152.868	470x400/19x16	420x350x180	4,800/-

610 X Insti (21"x18")



Fun:	Dimension: (LxW) mm / inch	Bowl Size: (LxWxD) mm	MRP: Rs.
101.0153.081	540x470/21x18	480x410x200	5,890/-

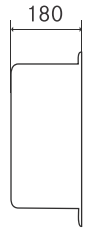
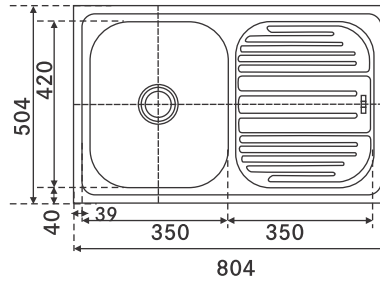
610 X Grand (24"x18")



Fun:	Dimension: (LxW) mm / inch	Bowl Size: (LxWxD) mm	MRP: Rs.
101.0153.088	600x468/24x18	550x420x220	6,790/-

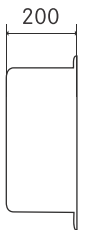
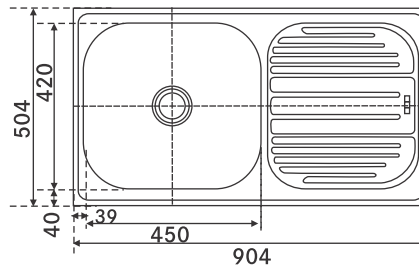
611 SERIES - European Satin Finish

611 X Trendy (32" x 20")



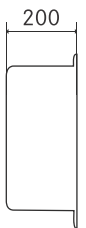
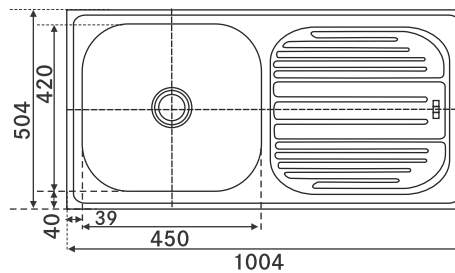
Fun:	Dimension: (LxW) mm / inch	Bowl Size: (LxWxD) mm	MRP: Rs.
101.0153.107	804x504/32x20	350x420x180	7,400/-

611 X Omni (36" x 20")



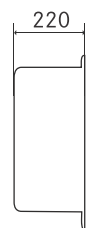
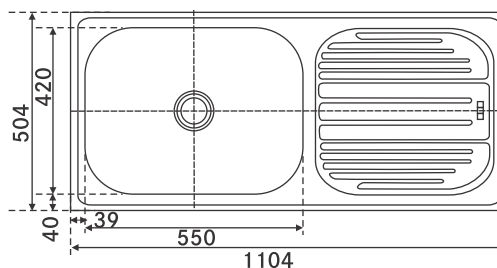
Fun:	Dimension: (LxW) mm / inch	Bowl Size: (LxWxD) mm	MRP: Rs.
101.0153.112	904x504/36x20	450x420x200	8,490/-

611 X Omni (40" x 20")



Fun:	Dimension: (LxW) mm / inch	Bowl Size: (LxWxD) mm	MRP: Rs.
101.0153.116	1004x504/40x20	450x420x200	9,100/-

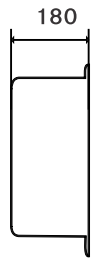
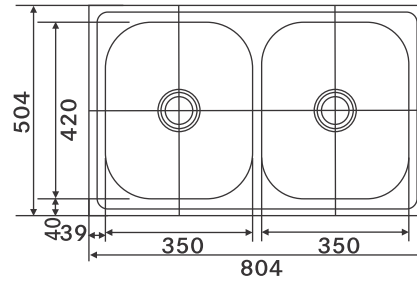
611 X Grand (44" x 20")



Fun:	Dimension: (LxW) mm / inch	Bowl Size: (LxWxD) mm	MRP: Rs.
101.0153.118	1104x504/44x20	550x420x220	10,500/-

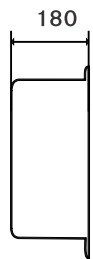
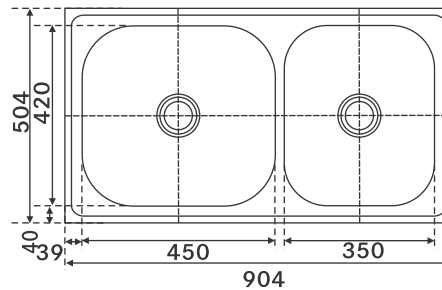
620 / 651 SERIES - European Satin Finish

620 X Trendy (32"x20")



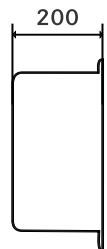
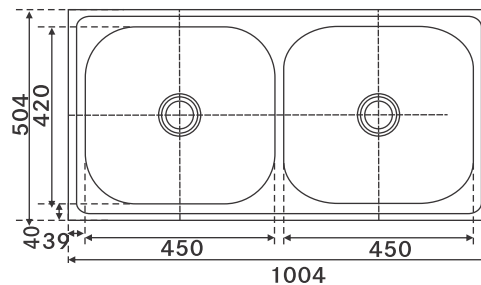
Fun:	Dimension: (LxW) mm / inch	Bowl Size: (LxWxD) mm	MRP: Rs.
101.0153.126	804x504/30x20	2*350x420x180	13,400/-

620X Omni (36"x20")



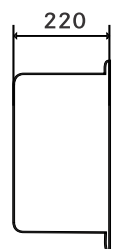
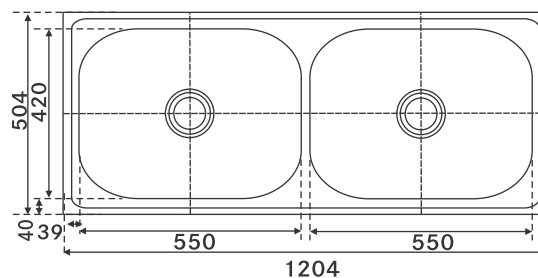
Fun:	Dimension: (LxW) mm / inch	Bowl Size: (LxWxD) mm	MRP: Rs.
101.0153.130	904x504/36x20	450x420x200 & 350x420x180	13,850/-

620 X Omni (40"x 20")



Fun:	Dimension: (LxW) mm / inch	Bowl Size: (LxWxD) mm	MRP: Rs.
101.0153.137	1004x504/40x20	2*450x420x200	15,800/-

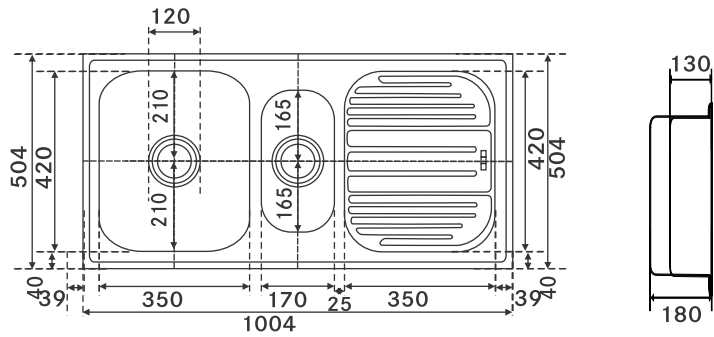
620X Grand (48"x 20")



Fun:	Dimension: (LxW) mm / inch	Bowl Size: (LxWxD) mm	MRP: Rs.
101.0153.141	1204x504/48x20	2*550x420x220	19,300/-

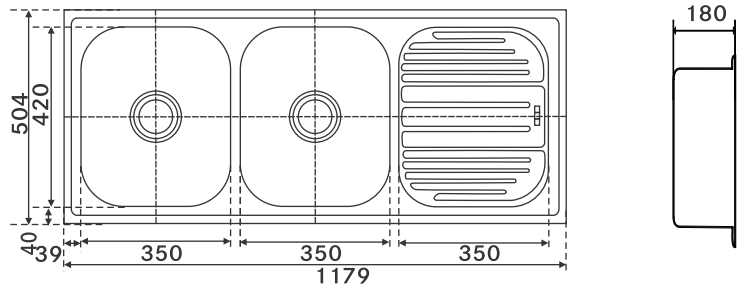
621/651 SERIES - European Satin Finish

651X Trendy (40"x20")



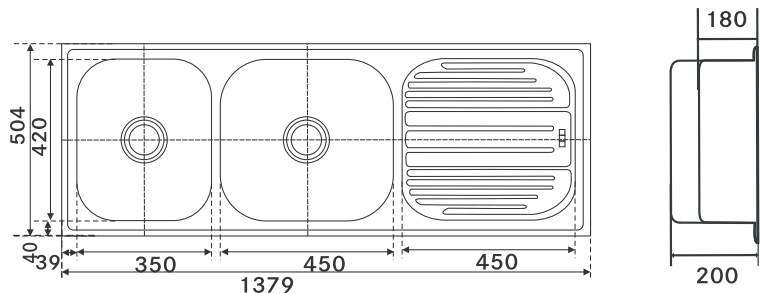
Fun:	Dimension: (LxW) mm / inch	Bowl Size: (LxWxD) mm	MRP: Rs.
101.0153.153	1004x504/40x20	350x420x180/170x330x130	14,200/-

621X Trendy (47"x20")



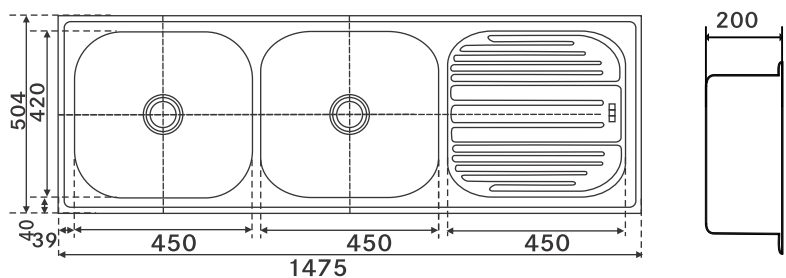
Fun:	Dimension: (LxW) mm / inch	Bowl Size: (LxWxD) mm	MRP: Rs.
101.0153.143	1179x504/47x20	2x 350x420x180	15,300/-

621CX Omni (55"x20")



Fun:	Dimension: (LxW) mm / inch	Bowl Size: (LxWxD) mm	MRP: Rs.
101.0153.145	1379x504/55x20	450x420x200/350x420x180	17,000/-

621 X Omni (59"x 20")



Fun:	Dimension: (LxW) mm / inch	Bowl Size: (LxWxD) mm	MRP: Rs.
101.0153.151	1479x504/59x20	2 * 450x420x200	18,900/-

KITCHEN FAUCETS

Body Material

Bronze (59%-63%), low lead content (0.8% - 1.6%) low residue (<1.5%) – gravity casting or low pressure casting. Most products in the market are sand cased with lots of pinholes and uneven body thickness.

Electroplating

The thickness of the nickel plating is more than international and European standards and more corrosion resistant than others.

Surface chrome plating thickness for Nickel and Chrome

Franke	Nickel > 7.5u	Chrome >0.25 u
International Standard	Nickel > 5 u	Chrome > 0.1u
EN 817 / EN 200		

Cartridge: German Ceramic Cartridge and Longer Life.

Flexible hose: Spanish S/S 304 exible hose, pressure resistant and corrosion resistant.

Aerator: Using top grade Aerator, integrating water saving and water flow.

Fasteners: All using Stainless Steel.

Disclaimer : Inlet pipes supplied with the product are of standard size, may vary from product to product. Check before purchase if any.



KITCHEN FAUCETS

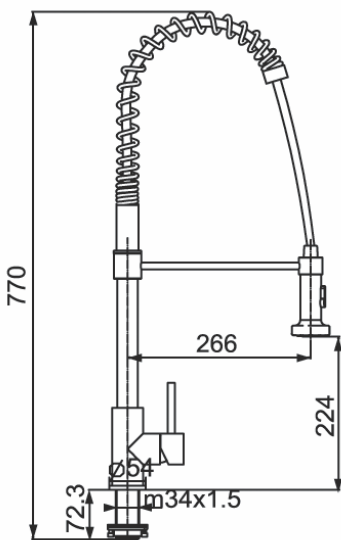
CT 101S



Fun 115.0254.611

MRP ₹ 18,990/-

Pull Out SS Tap



unit in mm

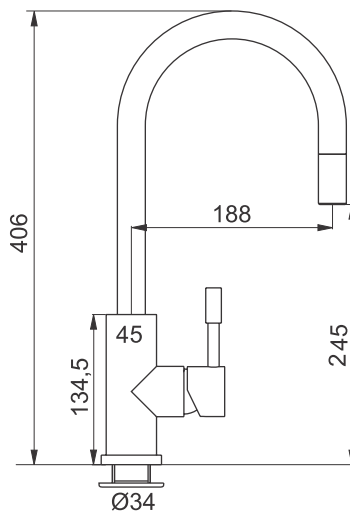
CT 133S



Fun 115.0254.613

MRP ₹ 14,990/-

Pull Out SS Tap



unit in mm

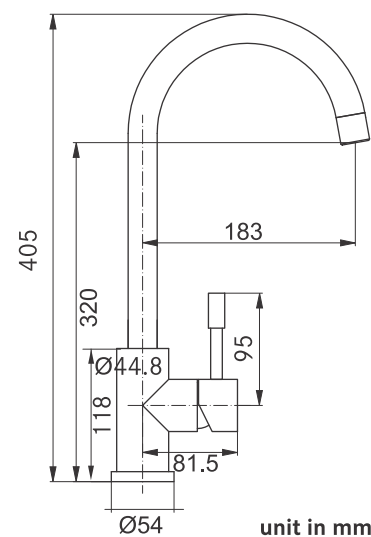
CT 103SE



Fun 115.0254.614

MRP ₹ 12,990/-

SS Tap



unit in mm

KITCHEN FAUCETS

CT 903C



Fun 115.0076.532
MRP ₹ 9,990/-

Novara-Plus Spray Top



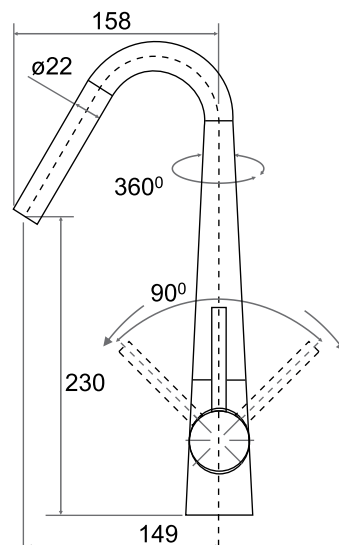
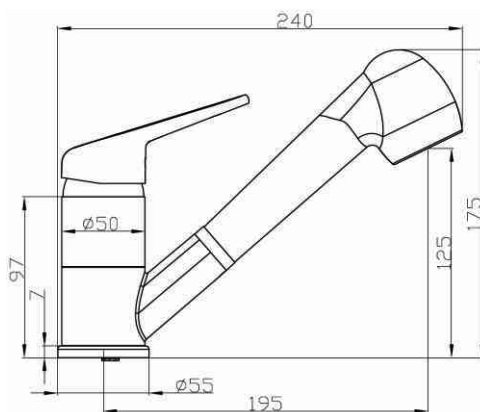
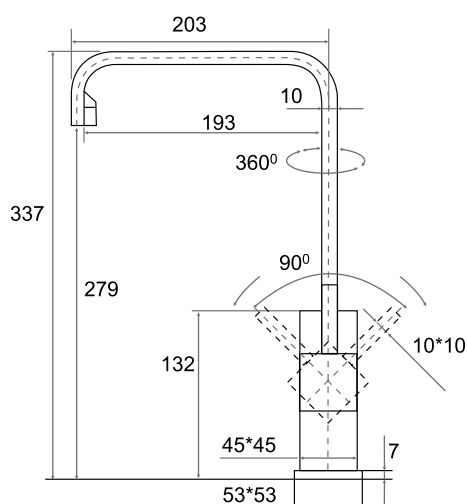
Fun: 115.0154.681
MRP: ₹ 8,150/-

▷ PULL OUT TAP

CT 501C



Fun 115.0255.560
MRP ₹ 7,890/-

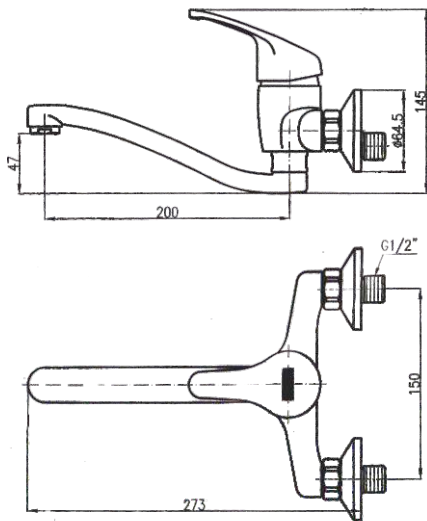


KITCHEN FAUCETS

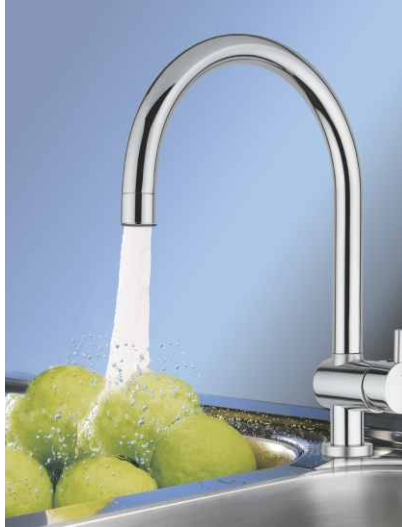
M 507-C8



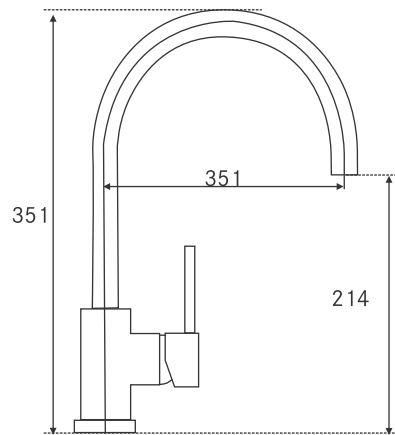
Fun: 115.0083.496
 MRP: ₹ 6,990/-



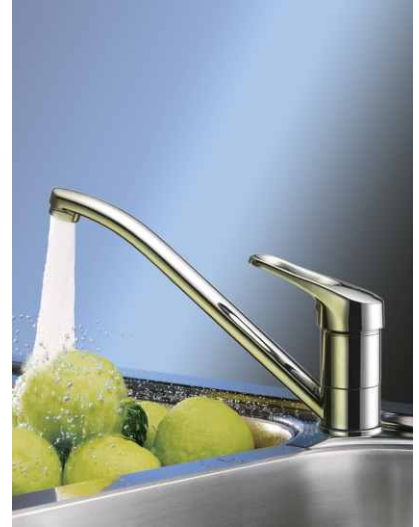
RT 505



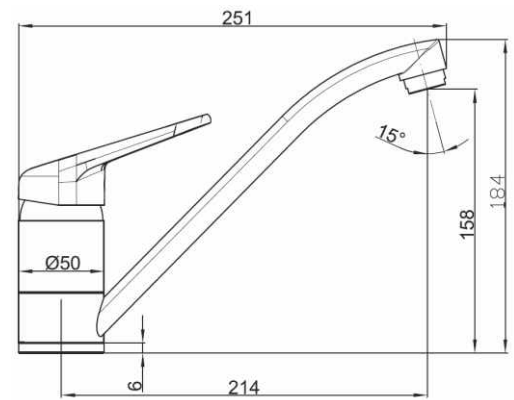
Fun: 115.0079.067
 MRP: ₹ 6,850/-



Novara-Plus Spout



Fun: 115.0154.680
 MRP: ₹ 4,350/-



BIO WASTE DISPOSER 0.5 HP/0.75HP/1.25 HP



INTRODUCTION

Franke “Turbo Elite” Waste Disposal Unit is designed to free the kitchen of unsightly and unhygienic household waste and is the essential add-on for ensuring that your kitchen remains looking immaculate.

Thanks to a permanent magnet motor, Franke WDUs reach high speed in a split second, producing more torque per kilo than any other of its type. Whilst running water through the unit, food waste is instantly liquefied into fine particles that are easily flushed through the pipework system.

Includes integrated Air Switch. Includes antibacterial protection for odour control.

This is a slim line model ideal for fitting into 1.5 bowl sinks where space may be limited.



ADVANTAGES

1. MOTOR

Due to the high speed and torque (twisting power) of the permanent magnet motor, most potential jams are eliminated.

A common problem with induction motors is that they have a starting winding and running winding. When the disposer is used improperly, i.e. food waste being deposited before starting the disposer, it is up to the starting winding to overcome the load on the turntable.

This often results in jamming since the starting winding does not have the torque necessary to overcome many jamming situations.

The Permanent Magnet Motor used in the Bio Shield Series disposer reaches full torque on the initial revolution, therefore avoiding the jamming situations as mentioned above.



TORQUE MASTER

Features Balanced turntables and balances armatures as the heart of the system. This along with corrosion proof components provide for less vibration.



2. BIO SHIELD

A Unique Antimicrobial agent is permanently molded into the “Wet” components that helps prevent bacteria-caused odors.

It also inhibits the growth of a wide range of microorganisms.



3. BUILT-IN AIR SWITCH

This model features a Built-In Air Switch Power Option. Turn on your disposer by the power switch or by pushing a button that creates air pressure to turn on disposer. Great option for use with islands.



4. Corrosion Proof

The Number One cause of failure for our competitors’ disposers is corrosion. Corrosion can cause leaks, jams, and allows bigger food particles through holes enlarged by rusting, which can cause clogging of the drain pipes.

Our all “Turbo Elite Series” models have stainless steel metal grinding chamber parts (turntable, swivel impellers, and the grind ring). This makes the Turbo Elite Series disposer corrosion proof.

BIO WASTE DISPOSER 0.5 HP/0.75HP/1.25 HP

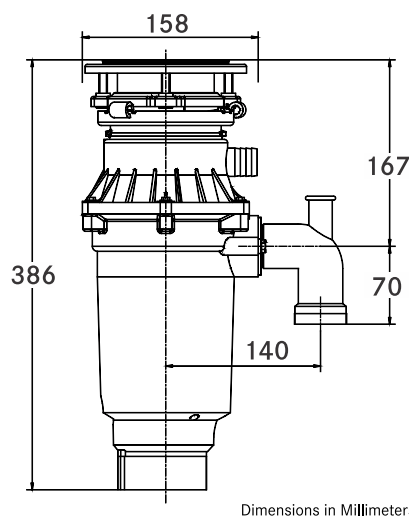
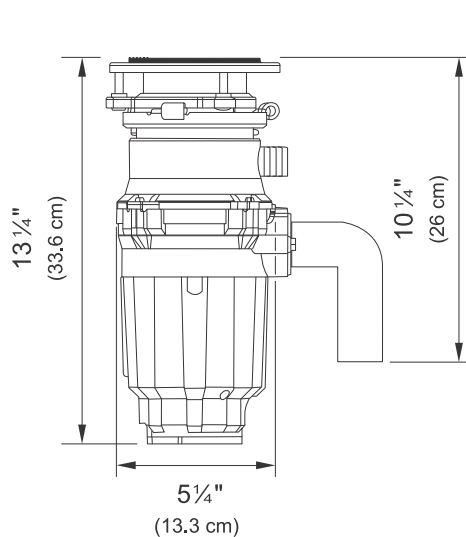


FUN:	134.0482.061
MRP:	Rs. 12,990/-
Horsepower	0.5 HP
Motor RPM	2600 RPM
Amps	2.25
Motor Type	Permanent
Grinding Ring	CRCA
Swivel Impellers	Stamped SS
Turntable	Stainless Steel
Weight in Kgs	4.23
Type	Manual

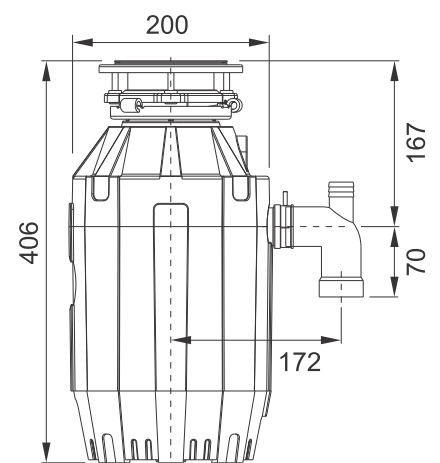
FUN:	134.0547.814
MRP:	Rs. 19,990/-
Horsepower	0.75 HP
Motor RPM	2700 RPM
Amps	3.25
Motor Type	Permanent
Grinding Ring	Stainless Steel
Swivel Impellers	Cast SS
Turntable	Stainless Steel
Weight in Kgs	5.23
Type	Air Switch Included

FUN:	134.0481.767
MRP:	Rs. 23,990/-
Horsepower	1.25 HP
Motor RPM	2700 RPM
Amps	4.5
Motor Type	Permanent
Grinding Ring	Stainless Steel
Swivel Impellers	Cast SS
Turntable	Stainless Steel
Weight in Kgs	7.00
Type	Air Switch Included

Note: FFIPL Offers a Standard warranty of 1 Year from the date of Purchase. Read the user manual carefully before installation.



Dimensions in Millimeters



Dimensions in Millimeters

ACCESSORIES

**Plumbing Kit-1 Bowl Siphon,
Sanitized, fully assembled**



Fun:	MRP: Rs.
112.0551.361	₹: 990/-

For Both Wall & Floor Drain Fixing Include the Extension Pipe

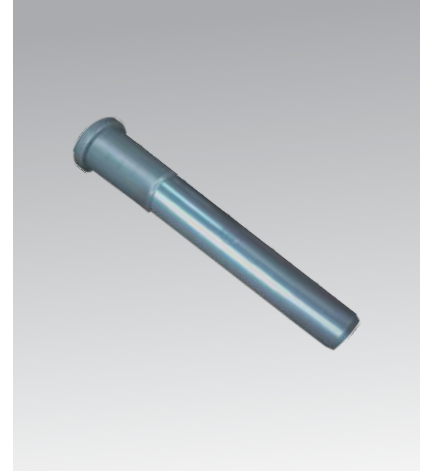
**Plumbing Kit - 2 Bowl Siphon,
Sanitized, fully assembled**



Fun:	MRP: Rs.
112.0551.365	₹: 1,390/-

For Both Wall & Floor Drain Fixing Include the Extension Pipe

Plumbing Kit Extension Pipe



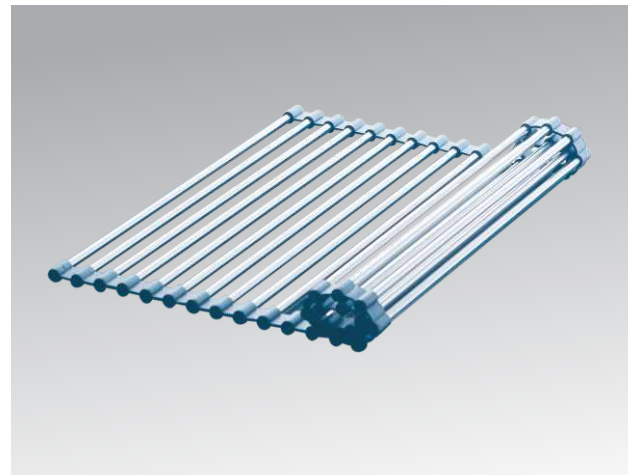
Fun:	MRP: Rs.
133.0043.685	Part of Plumbing Kit

Chopping Board



Fun:	Size	MRP: Rs.
112.0437.910	435x220x18mm	1,499/-
112.0437.909	465x220x18mm	1,699/-

Roller Mat



Fun:	Size	MRP: Rs.
112.0058.824	366x438mm	3,000/-
112.0050.988	400x400mm	3,500/-

DISCLAIMER

The overall sizes & bowl sizes indicated are in mm and inches, Which are rounded off to the nearest decimal. For Granite Cutting please refer the dimensions from actual product only. Franke will not be responsible for any mistake during granite cutting. Franke reserves the right to alter models, prices and specification without any prior notice.



Regd. Office:

FRANKE FABER INDIA PVT. LTD.

Gat No.: 1086/1/2, Nagar Road,
Sanaswadi, Tal Shirur, Pune - 412208,
Maharashtra, India.

E-mail: ks-appliances.in@franke.com
website: www.franke.com
CIN-U99999PN1997PLC107240

Manufacturing Plant:

FRANKE FABER INDIA PVT. LTD.

Plot No. L-7, MIDC, Waluj Industrial
Area, Aurangabad-431136,
Maharashtra, India.

E-mail: ks-appliances.in@franke.com
website: www.franke.com
CIN-U99999PN1997PLC107240



Customer Care: All India Toll Free Helpline No.: 1800 209 3484

E-mail: ks-appliances.in@franke.com Follow us on: Facebook/[frankeindia](https://www.facebook.com/frankeindia)



AUTHORISED DEALER



Note: Features and specifications as shown may not be part of standard accessories and are subject to change without prior notice. All dimensions are approximate.