

FRANKE PRODUCT
CATALOGUE -2021

FRANKE

is Swiss



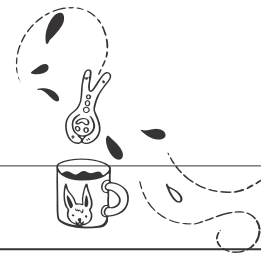


It's easy to be ordinary; to have an ordinary home, filled with things you neither love nor hate. But you should never settle for ordinary and that's why we want to make everything we make wonderful. Wonderful turns a house into a home and turns work into play. Every Franke product aims to be wonderful in every way; from the first glimpse of carefully considered design, to manufacturing standards that ensures you can feel the quality and craftsmanship of every piece.



This catalogue captures the spirit of wonderful in order to captivate and inspire you. A comprehensive range of sinks, taps and accessories can help turn an everyday kitchen extraordinary and turn a daily chore into a guilty pleasure.

Let everyone else be ordinary. Let's make it wonderful.



Introduction



Franke Headquarters in Aarburg, Switzerland

Since 1911, Franke has been known for its dedication to research, development, manufacture and service. Today, it is one of the world's leading suppliers of kitchen sinks, taps, cooking hobs and extractor hoods.

GLOBAL FOOTPRINT



The Artemis Group includes the Franke Group, the Artemis Real Estate Group (real estate portfolio in Switzerland and abroad), a majority holding in the Feintool Group (world market leader in fineblanking technology) and the Artemis Asset Management Group (various strategic shareholdings in international companies listed on the Swiss stock market and in private companies). Franke is a world leading provider of products and solutions for residential kitchens and bathrooms, professional food service, coffee preparation and semi-/public washrooms. The Artemis Group has about 9,200 employee in 72 countries, 5 continents. In 2020, the group generated consolidated Net sales 2.42 billion CHF.

Franke Artemis Group Core Business

GLOBAL POSITION

FRANKE KITCHEN SYSTEMS		No.1	
FRANKE FOOD SERVICE SYSTEMS		No.1	
FRANKE COFFEE SYSTEMS		No.2	
FRANKE WATER SYSTEMS		No.3	
FRANKE BEVERAGE SYSTEMS		No.1	

ADVANTAGE FRANKE - High Grade Materials

TECTONITE®

Made in The Netherlands.

TECTONITE® is the latest innovation by Franke – made of TECTONITE®, which is a hi-tech, light but strong synthetic material that gives you amazing advantages:

- It is extreme temperature resistant (230-300 degrees)
- It is scratch resistant and has a super smooth and easy to clean texture
- It is resistant to chemicals used in the kitchen (vinegar, tomato sauce, etc.)
- It has a UV resistant coating (its colour will not change)
- It is a 100% recyclable material
- It is available in three high tech colours: carbon black, arctic white and coffee
- It has a five year warranty



TECTONITE® Technology



Beautiful and Strong

A great looking and smooth surface, the TECTONITE® material prevents scuffing or scratching. It is also easy to clean and doesn't lose colour.



3rd Generation Coating

A new coating called PiMC (Power in Mold Coating) gives a protective layer providing strength to the material and protecting its colour.



Exclusive Texture

It is finished with an exclusive texture that coats the sink and repels water and dirt to keep the surface looking as good as new.

AUSTENITIC STAINLESS STEELS (SS 304 - AUSTENITIC GRADE)

All Franke Stainless steel sinks are manufactured using only SS 304 Austenitic grade. Austenitic stainless steel are chromium & nickel containing stainless steel with very low carbon content. Austenitic 304 stainless steels formed through the generous use of austenitizing elements such as nickel, manganese and nitrogen. Chromium content is range of 18% and nickel content in range of 8%. They are non-magnetic but can become slightly magnetic when cold worked. Cold working also enhances their strength. Austenitic stainless steel have mechanical properties over a wide range of temperatures. In addition, these steel are easy to clean, which enhances their use in applications in hygienic and sterile environments.



AISI
18/10
SS304

18/10: 18% Chromium and 10% Nickel

This material is used in Neptune

AISI
18/8
SS304

18/8: 18% Chromium and 8% Nickel

This material is used in 610/611, 620, 621, 651 and Adrian Series



SUPERIOR FINISHES & PERFORMANCES



Microdecor Finish

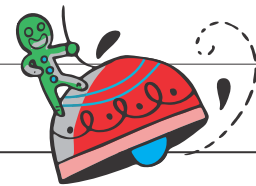
The distinctive pattern of Microdecor steel is so light as to be almost invisible, recalling the effect of aluminum and giving the steel a unique, inimitable appearance. Any scratches only damage the tiny convex areas of the surface, while the imperceptible concave zones prevent the formation of visible marks.



European Satin Finish

Franke uses a unique process of brush polishing on CNC controlled latest technology machine along with special "Franke" ATL-F22 paste that gives product surface a smooth European Satin finish with good aesthetic look. This makes it best suitable for all kitchen applications since it is prone to scratching during daily usages.

WARRANTY



25 Year Warranty

All Franke Stainless Steel Sinks are guaranteed for 25 Year against faulty workmanship and material.



5 Year Warranty

All Franke Color Sinks are guaranteed for 5 Year against faulty workmanship and material.



1 Year Warranty

All Franke Taps, Bio Waste Disposer, Plumbing Kit , Roller Mat and Accessories are guaranteed for 1 Year against faulty workmanship and material.

DISCLAIMER

The overall sizes & bowl sizes indicated are in mm and inches, Which are rounded off to the nearest decimal. For Granite Cutting please refer the dimensions from actual product only. Franke will not be responsible for any mistake during granite cutting. Franke reserves the right to alter models, prices and specification without any prior notice.

TECHNOLOGY IN STAINLESS STEEL SINKS

A world leader in the production of sinks, Franke offers a unique range of products comprising models at the very pinnacle of functionality and design, complete with various accessories that epitomize practicality and efficiency.

Exclusive treatments: To further improve the quality of the steel, enhance the sheen and increase its resistance to wear, Franke carries out exclusive brushing and polishing treatments. The treatment, applied to hobs and sinks alike, also enhances the visual aspect of each solution.



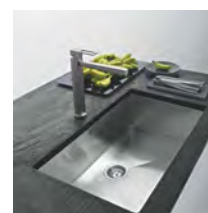
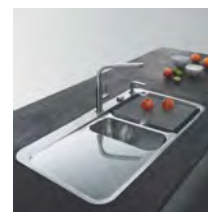
Years of research and experimentation have allowed Franke to guarantee the use of premium quality raw materials and the creation of excellent finished products in terms of: form and function; ease of use and total safety; water and energy savings with environmental protection in mind.

Only The Best Steel:

Franke luxury collection offers AISI 304 18/10 steel for the manufacture of its sinks. This stainless steel is highly resistant to rust and to the aggressive action of acids and chemical products.

Differentiated Solutions:

Franke offers built-in, under-top and top-flush solutions to satisfy all sink integration requirements while enhancing visual appeal and practicality.



TECHNOLOGY IN STAINLESS STEEL SINKS

Innovative Steel: Franke has always been committed to researching innovative material combining beauty, quality and performance.

Satin Finish Steel: Franke enhances its durable and flexible steel with an exclusive non-scratch satin finish for lasting elegance and practicality.

Decor And Microdecor Steel: Designed to protect from scratches, abrasion and corrosive agents, Franke patented Decor and Microdecor finishes create a stunning aluminum effect, enhancing shapes and emphasizing the elegance of each design.



Rules for keeping steel in perfect condition:

Stainless steel is easy to clean and extremely hygienic. In fact, its smooth, non-porous surface makes it difficult for bacteria and micro-organisms to survive. The best way of caring for steel, to keep it bright and shiny and prevent scratches or unsightly marks, is to follow these few simple rules:

- The first time you use it, take extra care when treating and rinsing the surface, to avoid contact with aggressive detergents and prevent ferrous substances in the pipes from being deposited
- Always use cleaning products specifically formulated for stainless steel and do not use detergents containing chlorine, bleach, hydrochloric acid or limescale removal agents
- When cleaning, use soft cloths and not abrasive sponges or metal scourers
- Always rinse thoroughly
- Never leave wet sponges or utensils containing iron on the surface for long periods of time
- Only store containers of detergent or acidic chemical products under the sink once they have been closed



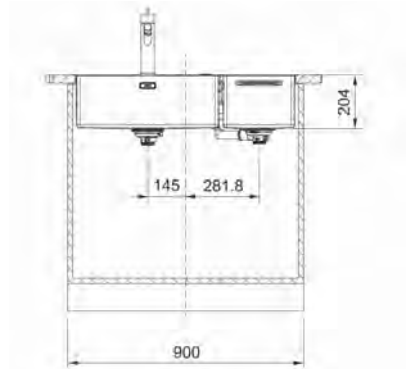
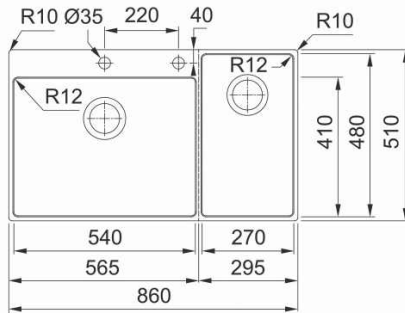
BOX CENTER





BOX CENTER- Black Satin Finish

BOX CENTER-BWX 220-54-27

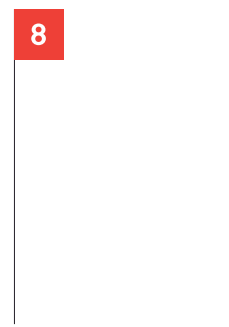
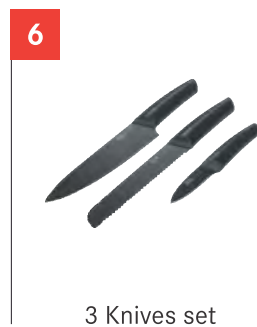
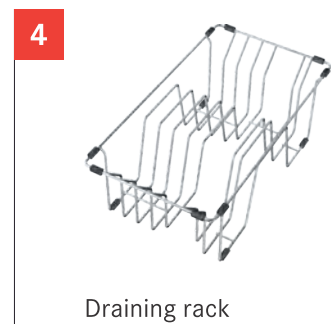
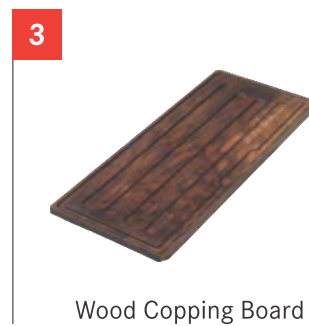
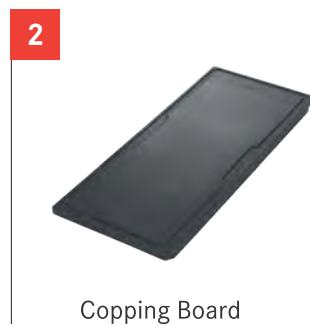


Fun:	Dimension: (LxM)mm	Bowl Size: (LxWxD)mm	MRP: Rs.
127.0538.259	860x510	540x480x204 & 270x410x204	1,05,000/-

- State-of-the-art Centenary design
- Formed from the highest grade Stainless Steel 304 18/ 1 0
- Complete with wonderful accessories
- Created to fit perfectly in functionality and design
- IF Design award 2019



Accessories included



*Luxury collection series

PEAK SOTTOTOP - Black Satin Finish



red dot design award

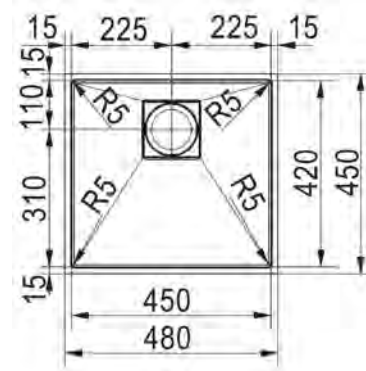
PEAK SOTTOTOP - Black Satin Finish



PKX 110-45

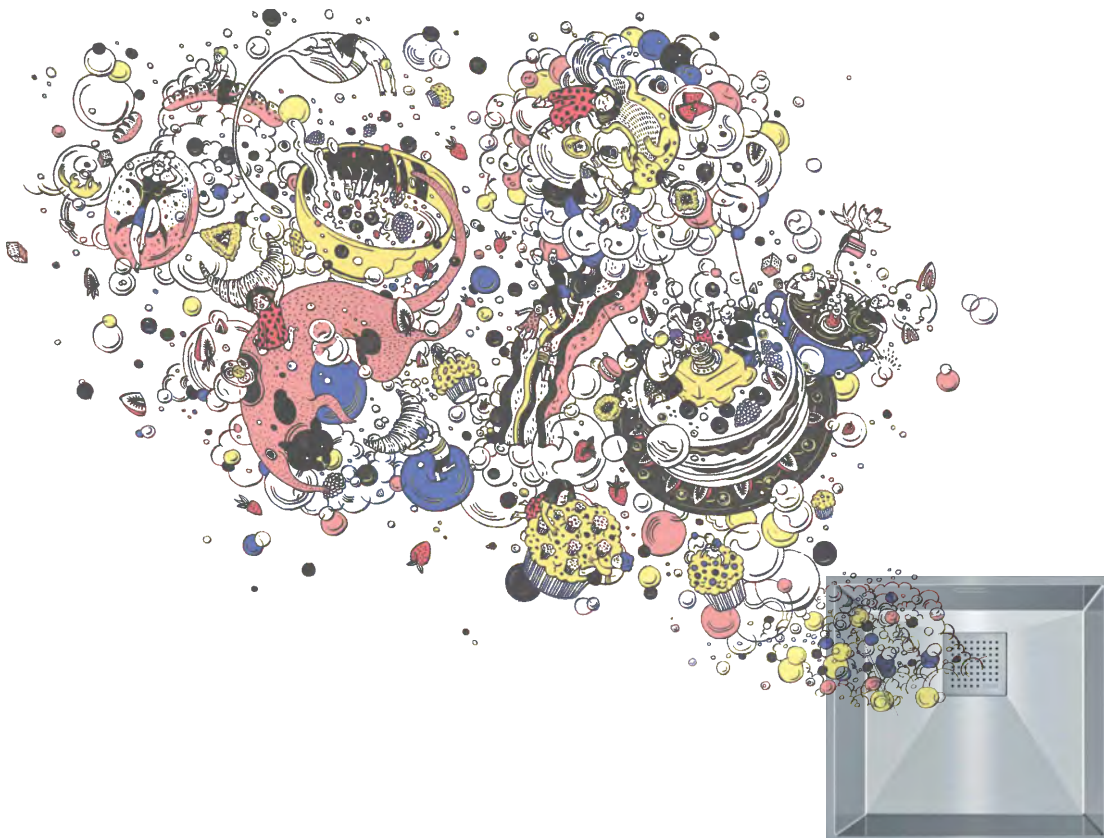


reddot design award



Fun:	Dimension: (LxM) mm	Bowl Size: (LxWxD) mm	MRP: Rs.
122.0157.731	480x450	450x420x180	64,990/-

- The very generation of Undermount sinks with pressed bowels and tight 5mm corner radii for good looking, super hygienic workstations.
- Formed from the highest grade Stainless Steel 304 18/10
- Created to fit perfectly in functionality and design
- Won the Red Dot award for the best product design

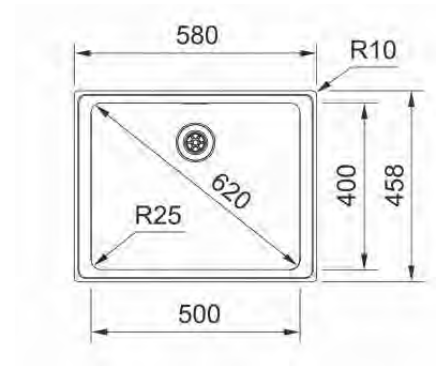


*Luxury collection series

Frames by Franke

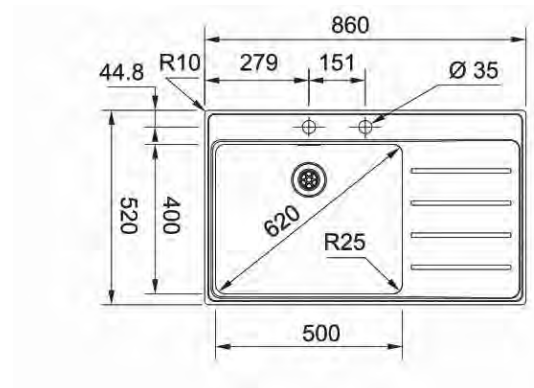


FSX 210-458 3 1/2" I PuKWIWOF SIP



Fun:	Dimension: (LxM) mm	Bowl Size: (LxW) mm	MRP: Rs.
127.0379.163	580x458	500x400	96,000/-

FSX 211-458 3 1/2" I RHD PuKWIWOF SIP



Fun:	Dimension: (LxM) mm	Bowl Size: (LxW) mm	MRP: Rs.
127.0379.030	860x520	500x400	1,10,000/-



NEPTUNE - Microdecor Finish

Microdecor Finish

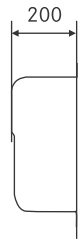
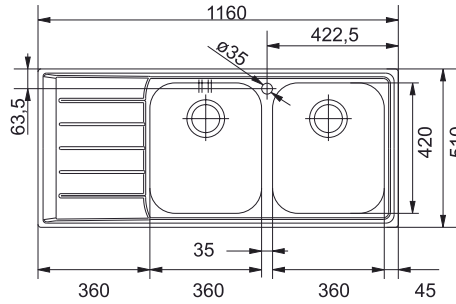
The distinctive pattern of Microdecor Steel is so light as to be almost invisible, recalling the effect of aluminum and giving the steel a unique, inimitable appearance. Any scratches only damage the tiny convex areas of the surface, while the imperceptible concave zones prevent the formation of visible marks.



NEPTUNE - Microdecor Finish

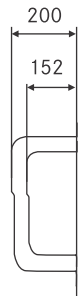
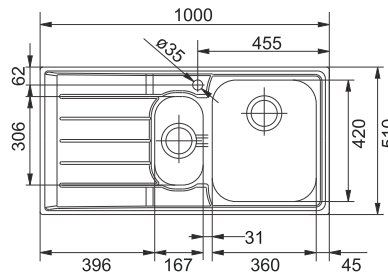


NET 621



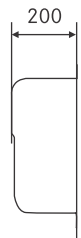
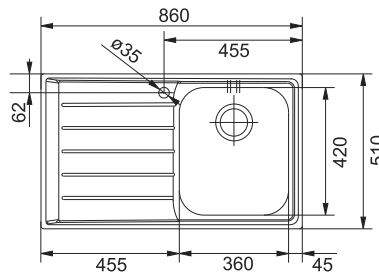
Fun:	Dimension: (LxM)mm	Bowl Size: (LxWxD)mm	MRP: Rs.
RHD:101.0253.262	1160x510	2*360x420x200	32,790/-
LHD:101.0261.835	1160x510	2*360x420x200	32,790/-

NET 651



Fun:	Dimension: (LxM)mm	Bowl Size: (LxWxD)mm	MRP: Rs.
RHD:101.0253.263	1000x510	360x420x200/167x306x152	29,590/-
LHD:101.0253.836	1000x510	360x420x200/167x306x152	29,590/-

NET 611



Fun:	Dimension: (LxM)mm	Bowl Size: (LxWxD)mm	MRP: Rs.
RHD:101.0262.014	860x510	360x420x200	22,890/-
LHD:101.0262.013	860x510	360x420x200	22,890/-

*Designer collection series

BOX - European Satin Finish

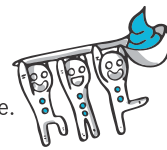


red dot award
winner

BOX - European Satin Finish

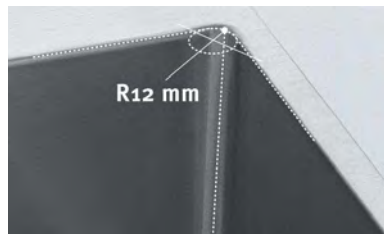
INSTALL PERFECTION IN A MOMENT

A Red Dot award-winner for best-in-class design, the Box range of sinks helps you get the job done simply and with style.

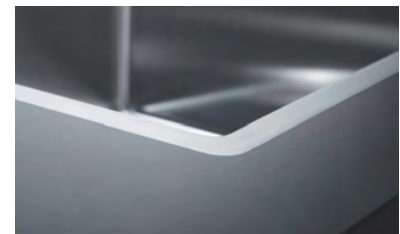


- Easy to install as a built-in sink, slimtop or undermount
- Premium quality stainless steel. High stain and corrosion resistance

Features:



R12 mm Radius, Free from sludge deposition.



Seamless Rim with Elegant match to counter top.

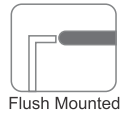
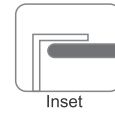


Suited for Under Mount also



All Franke stainless steel BOX or Square are sound insulated to reduce the sound of water in the bowl. This is achieved by rubber insulation pads under the sink, or by a sprayed dynaphon layer, applied during manufacturing. The grey dynaphon spray also insulates, minimizing heat escaping from the bowl, keeping water warmer for longer.

BOX - European Satin Finish

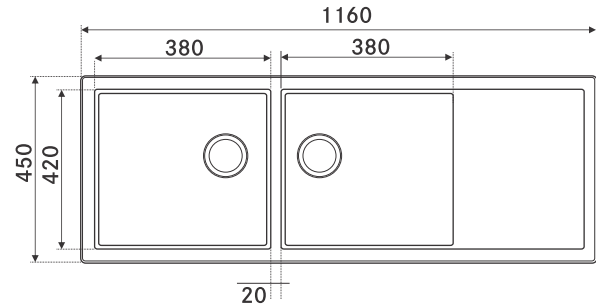


Inset

Under mounted

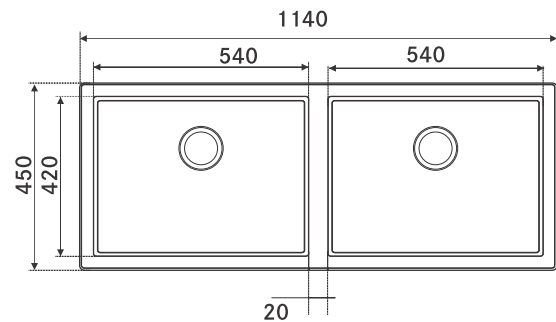
Flush Mounted

BXX 221/121-116 3 1/2" WWK REV NTH R12 (46"x18")



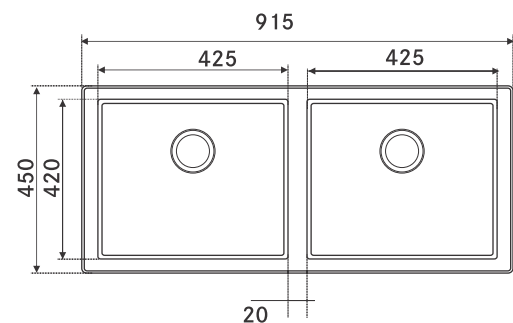
Fun:	Dimension: (LxW) mm / inch	Bowl Size: (LxWxD) mm	MRP: Rs.
127.0595.013	1160 x 450 / 46x18	2*380 x 420 x 210	24,990/-

BXX 220/120 54-54 3 1/2" WWK NTH NOF R12 (45"x18")



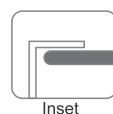
Fun:	Dimension: (LxW) mm / inch	Bowl Size: (LxWxD) mm	MRP: Rs.
127.0516.117	1140 x 450 / 45x18	2*540 x 420 x 210	23,190/-

BXX 2/120-42-42 3 1/2" WWK NTH NOF FRL (36"x18")



Fun:	Dimension: (LxW) mm / inch	Bowl Size: (LxWxD) mm	MRP: Rs.
127.0577.938	915 x 450 / 36x18	2*425 x 420 x 210	20,790/-

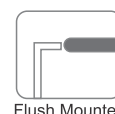
BOX - European Satin Finish



Inset

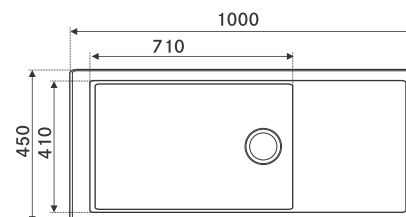


Under mounted



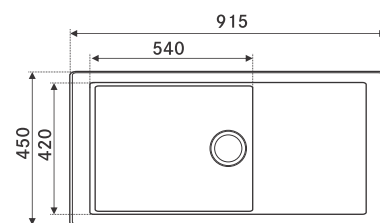
Flush Mounted

BXX 211/111-100 31/2" NWK NTH NOF FRL (40"x18")



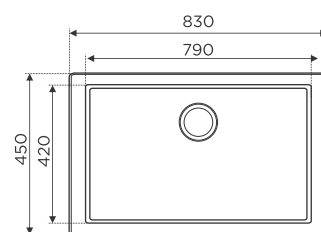
Fun:	Dimension: (LxW) mm / inch	Bowl Size: (LxWxD) mm	MRP: Rs.
127.0657.315	1000 x 450 / 40x18	710 x 420 x 210	19,590/-

BXX 211/111-54 3 1/2" WWK REV NOF NTH (36"x18")



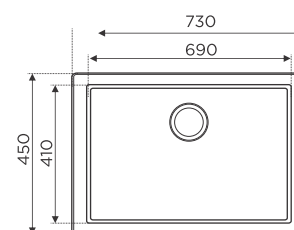
Fun:	Dimension: (LxW) mm / inch	Bowl Size: (LxWxD) mm	MRP: Rs.
127.0516.116	915 x 450 / 36x18	540 x 420 x 210	18,890/-

BXX 210/110-79 3 1/2" WWK ND NOF NTH R12 (33"x18")



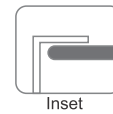
Fun:	Dimension: (LxW) mm / (inch)	Bowl Size: (LxWxD)mm	MRP: Rs.
127.0516.115	830x 450/ 33x18	790 x 420 x 210	15,390/-

BXX 210/110-69 3 1/2" NWK NTH NOF FRL (30"x18")

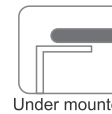


Fun:	Dimension: (LxW) mm / (inch)	Bowl Size: (LxWxD)mm	MRP: Rs.
127.0657.314	730x 450/ 30x18	690 x 410 x 210	14,690/-

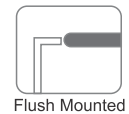
BOX - European Satin Finish



Inset

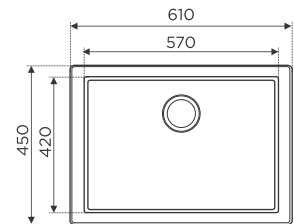


Under mounted



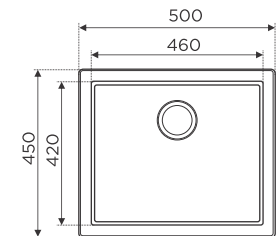
Flush Mounted

BXX 210/110-57 3 1/2" WWK ND NOF NTH R12 (24"x18")



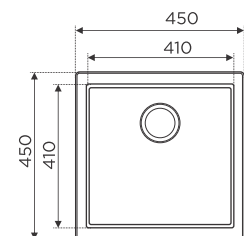
Fun:	Dimension: (LxW) mm / (inch)	Bowl Size: (LxWxD)mm	MRP: Rs.
127.0516.112	610 x 450/ 24x18	570 x 420 x 210	14,190/-

BXX 210/110-46 3 1/2" WWK ND NOF NTH R12 (20"x18")



Fun:	Dimension: (LxW) mm / (inch)	Bowl Size: (LxWxD)mm	MRP: Rs.
127.0516.111	500 x 450/ 20x18	460 x 420 x 210	12,190/-

BXX 210/110-41 3 1/2" WWK NTH NOF FRL (18"x18")



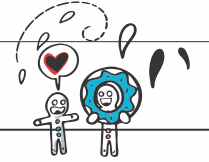
Fun:	Dimension: (LxW) mm / (inch)	Bowl Size: (LxWxD)mm	MRP: Rs.
127.0657.313	450 x 450/ 18x18	410 x 410 x 210	9,790/-

BOX - European Satin Finish



reddot award
winner

BELL - European Satin Finish



ACCESSORIES INCLUDED WORTH MRP RS. 4,650/-



Chopping Board



Plastic Colander

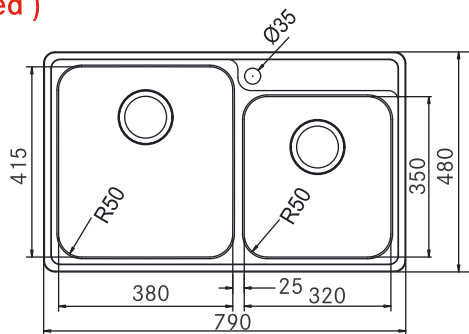


Wire Basket



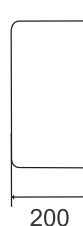
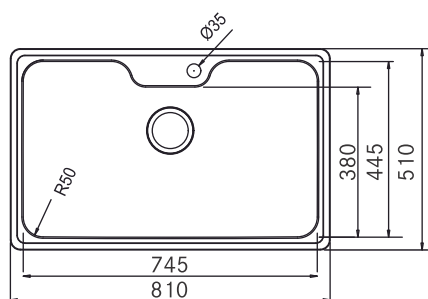
BELL - European Satin Finish

BCX 620-38/32(32"x18") (Accessories Included)



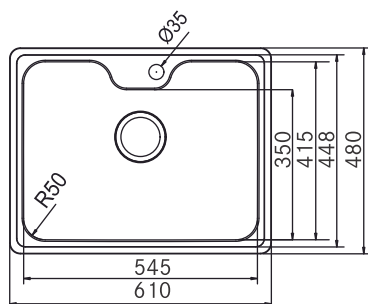
Fun:	Dimension: (LxW) mm / inch	Bowl Size: (LxWxD) mm	MRP: Rs.
101.0489.192	790x480/32x18	380x415x180 & 320x350x160	20,590/-

BCX 610-81(33"x20") (Accessories Not Included)



Fun:	Dimension: (LxW) mm / inch	Bowl Size: (LxWxD) mm	MRP: Rs.
101.0489.191	810x510 / 33x20	745x445x200	18,490/-

BCX 610-61(24"x18") (Accessories Included)



Fun:	Dimension: (LxW) mm / inch	Bowl Size: (LxWxD) mm	MRP: Rs.
101.0489.050	610x480 / 24x18	545x448x200	16,390/-

Artisan - European Satin Finish

"Designed in Switzerland"



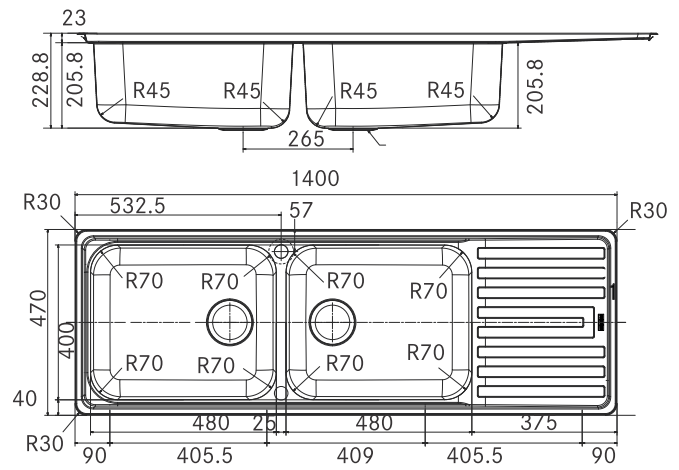
Internationally respected promises of innovation, quality and design.

The new minimalistic bowl covers nearly all planning needs forming an elegant unit with any counter-top (natural or artificial).



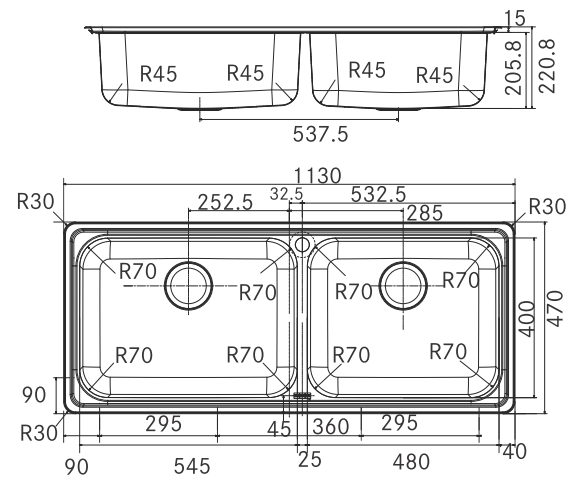
Artisan - European Satin Finish

RSX 621(55"x18")



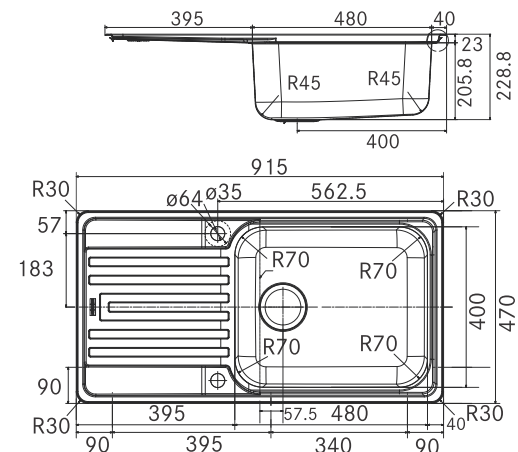
Fun:	Dimension: (LxW) inch	Bowl Size: (LxWxD) mm	MRP: Rs.
101.0539.496	55x18	2x (480 x 400 x 228.8)	22,090/-

RSX 620-55-48 (45"x18")



Fun:	Dimension: (LxW) inch	Bowl Size: (LxWxD) mm	MRP: Rs.
101.0536.744	45x18	545 x 400 x 220.8 & 480 x 400 x 220.8	21,290/-

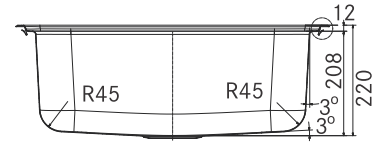
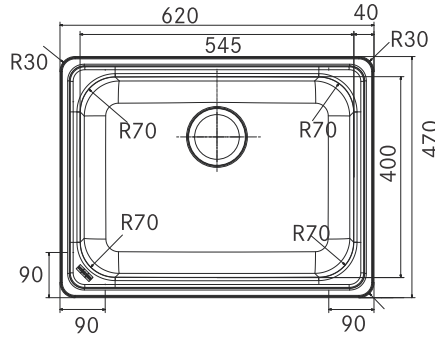
RSX 611-91 (36"x18")



Fun:	Dimension: (LxW) inch	Bowl Size: (LxWxD) mm	MRP: Rs.
101.0539.493	36x18	480 x 400 x 228.8	10,090/-

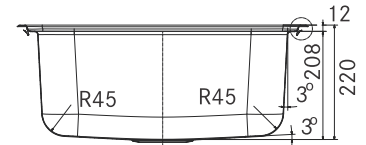
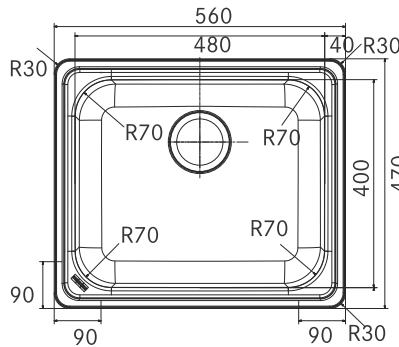
Artisan - European Satin Finish

RSX 610-63 (24"x18")



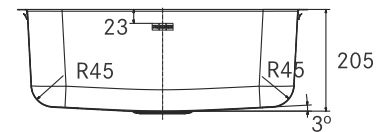
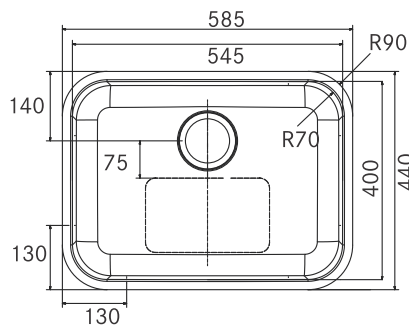
Fun:	Dimension: (LxW) inch	Bowl Size: (LxWxD) mm	MRP: Rs.
101.0539.491	24x18	545 x 400 x 220	8,090/-

RSX 610-56 (22"x18")



Fun:	Dimension: (LxW) inch	Bowl Size: (LxWxD) mm	MRP: Rs.
101.0539.492	22x18	480x 400 x 220	6,990/-

RSX 210-55 (23"x18")

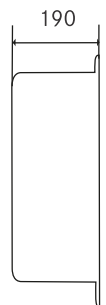
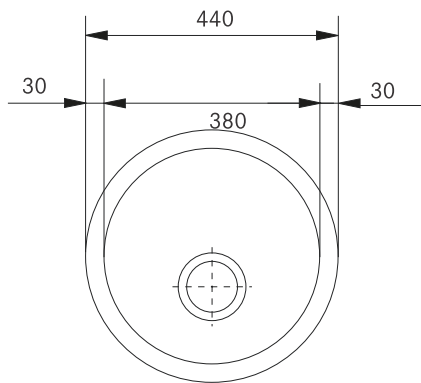


Fun:	Dimension: (LxW) mm / inch	Bowl Size: (LxWxD) mm	MRP: Rs.
127.0544.091	23x18	545 x 400 x 205	7,290/-

LUGANO - European Satin Finish

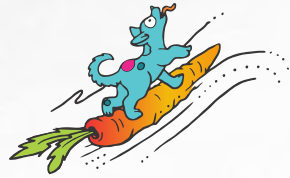


LUX 610



Fun:	Diameter: (Ø)mm	Bowl Size: (ØxDepth)mm	MRP: Rs.
101.0253.181	440	380x190	7,390/-

FRANKE URBAN RANGE FRAGRANITE (Granite Kitchen Sinks)





FRAGRANITE

Following extensive testing and development, new Fraganite tackles the humble cleaning problem associated with composite sinks. The revolutionary new Fraganite+ technology is now available on all Franke Fraganite and Silk Sheen Fraganite sinks, which now enjoy ultra-smooth surfaces that are exceptionally easy to keep clean.

Kitchens can be a fertile breeding ground for bacteria, mold and mildew, which can lead to material damage and cause unpleasant odors and stains. On unprotected material, bacteria levels can increase every 20 minutes. The integrated Sanitized® protective function in Fraganite sinks helps to keep this area clean and provides the sink with lasting protection. It does not replace normal cleaning practices, but helps to keep surfaces clean. Fraganite treated with Sanitized® reduces bacterial odors by 99%. Sanitized® protective function helps to keep sink surfaces clean by reducing the growth of bacterial odors, mold and mildew even between cleaning.

The granite particles bonded together during manufacture are now smaller, creating a smoother, flatter surface, reducing the chances for lime scale to build up. It is also far more difficult for residue, food particles and bacteria to accumulate in between the granules, which greatly improves hygiene.

Tested against leading competitors, DuraKleen® Plus comes up trumps on stain resistance. Even after being left to sit on the sink for 18 hours, the toughest stains like beetroot, permanent marker, red wine and iodine can simply be wiped clean away.





SANITIZED®

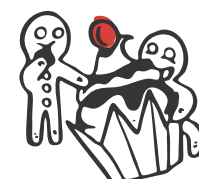
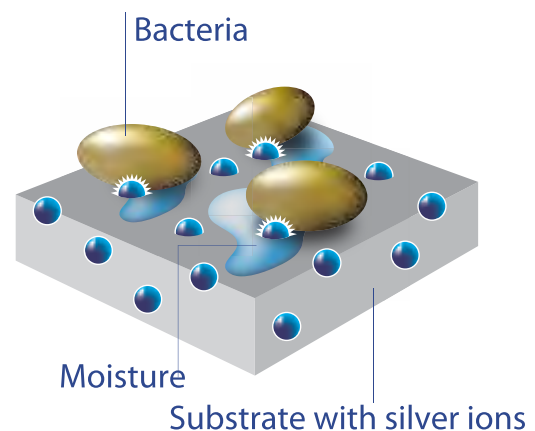


With all the foodstuff around in both raw and cooked states and at various stages of the process of cooking, kitchens are an obvious breeding ground for bacteria. Therefore, as an area that's critical to keep clean and bacteria-free, they need special attention to be paid to them.

On unprotected material, bacteria can multiply every 20 minutes and have a seriously adverse effect on hygiene. The possibility of transferring bacteria is also higher on untreated material. Which is why we have designed our Fraganite sinks with an integrated Sanitized® hygiene function. This helps to keep the area clean and provides the sink with lasting protection. It does not replace normal cleaning but helps to keep surfaces free from bacteria. Tests have proven that Fraganite treated with Sanitized® reduces bacteria and microbe growth by as much as 99%.

Sanitized® also helps to keep the sink surface hygienic and protected from bacteria and microbe growth after and in between normal cleaning cycles. So, all in all, you have an almost-bacteria-free washing-up area.

The silver ion locates the bacteria via the moisture and deactivates it.



URBAN SINKS- Fragranite Sanitized Coating Finish



Accessories included

1



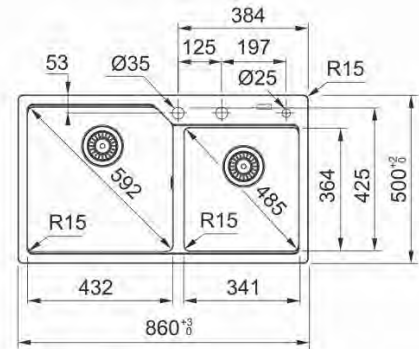
Strainer bowl



URBAN RANGE 620- 86 - Fraganite Sanitized Coating Finish

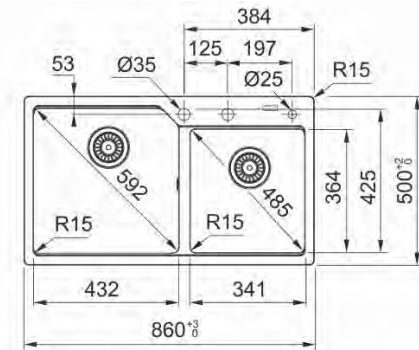


UBG 620-86 3 1/2" WWK ND WRO ON



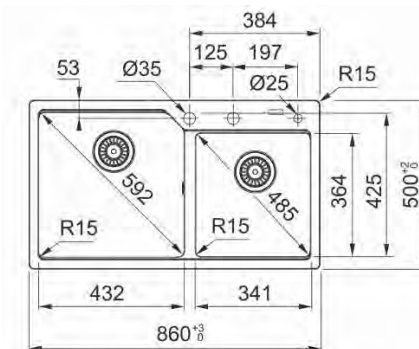
Finish:	Fun:	Dimension: (LxM)mm	Bowl Size: (LxWxD)mm	MRP: Rs.
Onyx	114.0651.606	860x500	432x425x200 & 341x364x200	18,490/-

UBG 620-86 3 1/2" WWK ND WRO OA



Finish:	Fun:	Dimension: (LxM)mm	Bowl Size: (LxWxD)mm	MRP: Rs.
Oat Meal	114.0651.601	860x500	432x425x200 & 341x364x200	17,990/-

UBG 620-86 3 1/2" WWK ND WRO TH ST



Finish:	Fun:	Dimension: (LxM)mm	Bowl Size: (LxWxD)mm	MRP: Rs.
Stone Grey	114.0651.621	860x500	432x425x200 & 341x364x200	17,990/-

Properties



Impact proof Resistant to impact and thermal shock. Extreme temperature to 280°C.



Colour proof The surface color will not fade over the lifetime of the product.



Scratch proof Even knives won't scratch the surface.



Stain proof The surface color will not stain or mark.



Easy-clean The surface is easy to clean.

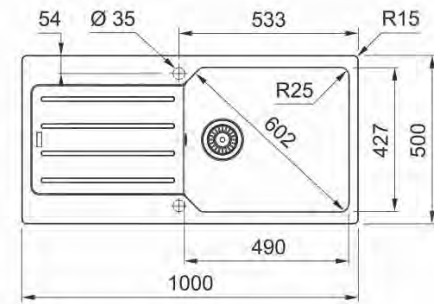


Germ proof Fraganite treated with Sanitized® reduces bacteria and microbe growth by 99%, giving the sink lasting protection.

URBAN RANGE 611 / 211-100 - Fraganite Sanitized Coating Finish

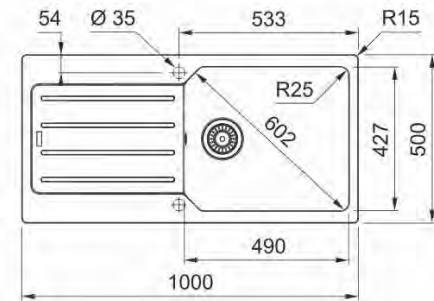
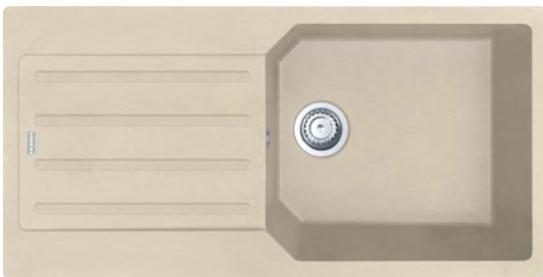


UBG 611/211-100 3 1/2" WWK REV WRO TH ON



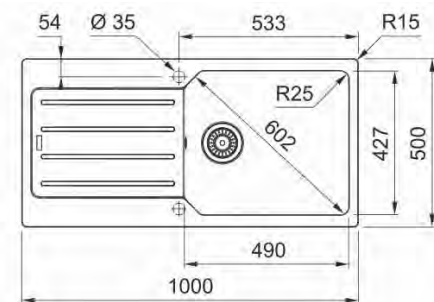
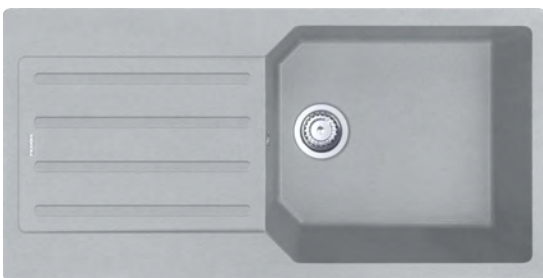
Finish:	Fun:	Dimension: (LxM)mm	Bowl Size: (LxWxD)mm	MRP: Rs.
Onyx	114.0651.605	1000x500	490x427x200	17,490/-

UBG 611/211-100 3 1/2" WWK REV WRO TH OA



Finish:	Fun:	Dimension: (LxM)mm	Bowl Size: (LxWxD)mm	MRP: Rs.
Oat Meal	114.0651.600	1000x500	490x427x200	16,990/-

UBG 611/211-100 3 1/2" WWK REV WRO TH ST



Finish:	Fun:	Dimension: (LxM)mm	Bowl Size: (LxWxD)mm	MRP: Rs.
Stone Grey	114.0651.610	1000x500	490x427x200	16,990/-

Properties



Impact proof Resistant to impact and thermal shock. Extreme temperature to 280°C.



Colour proof The surface color will not fade over the lifetime of the product.



Scratch proof Even knives won't scratch the surface.



Stain proof The surface color will not stain or mark.



Easy-clean The surface is easy to clean.

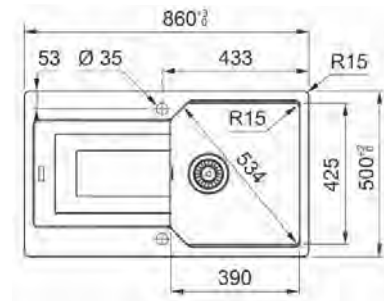


Germ proof Fraganite treated with Sanitized® reduces bacteria and microbe growth by 99%, giving the sink lasting protection.

URBAN RANGE 611 / 211-86 - Fraganite Sanitized Coating Finish

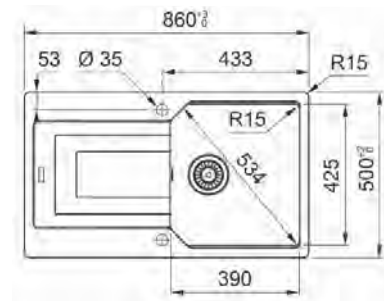
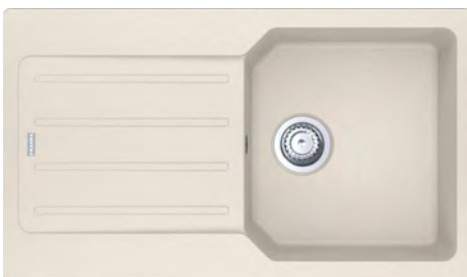


UBG 611/211-86 3 1/2" WWK REV WRO TH ON



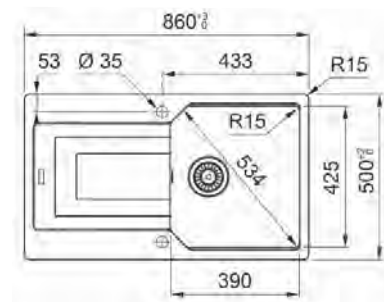
Finish:	Fun:	Dimension: (LxM)mm	Bowl Size: (LxWxD)mm	MRP: Rs.
Onyx	114.0651.604	860x500	390x425x200	16,490/-

UBG 611/211-86 3 1/2" WWK REV WRO TH OA



Finish:	Fun:	Dimension: (LxM)mm	Bowl Size: (LxWxD)mm	MRP: Rs.
Oat Meal	114.0651.599	860x500	390x425x200	15,990/-

UBG 611/211-86 3 1/2" WWK REV WRO TH ST



Finish:	Fun:	Dimension: (LxM)mm	Bowl Size: (LxWxD)mm	MRP: Rs.
Stone Grey	114.0651.609	860x500	390x425x200	15,990/-

Properties



Impact proof Resistant to impact and thermal shock. Extreme temperature to 280°C.



Colour proof The surface color will not fade over the lifetime of the product.



Scratch proof Even knives won't scratch the surface.



Stain proof The surface color will not stain or mark.



Easy-clean The surface is easy to clean.

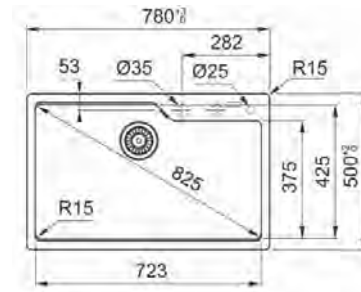


Germ proof Fraganite treated with Sanitized® reduces bacteria and microbe growth by 99%, giving the sink lasting protection.

URBAN RANGE 610/210-78 - Fraganite Sanitized Coating Finish

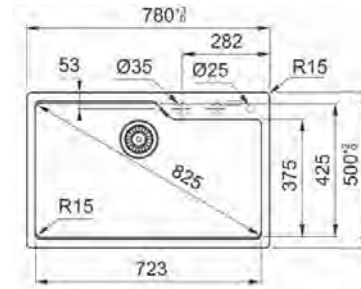


UBG 610/210-78 3 1/2" WWK ND WRO ON



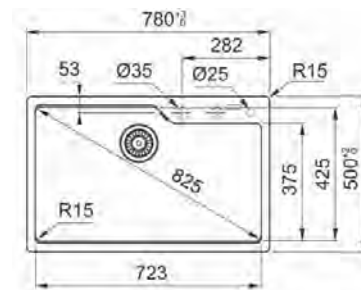
Finish:	Fun:	Dimension: (LxM)mm	Bowl Size: (LxWxD)mm	MRP: Rs.
Onyx	114.0651.603	780x500	723x425x200	15,490/-

UBG 610/210-78 3 1/2" WWK ND WRO TH OA



Finish:	Fun:	Dimension: (LxM)mm	Bowl Size: (LxWxD)mm	MRP: Rs.
Oat Meal	114.0651.598	780x500	723x425x200	14,990/-

UBG 610/210-78 3 1/2" WWK ND WRO TH ST



Finish:	Fun:	Dimension: (LxM)mm	Bowl Size: (LxWxD)mm	MRP: Rs.
Stone Grey	114.0651.608	780x500	723x425x200	14,990/-

Properties



Impact proof Resistant to impact and thermal shock. Extreme temperature to 280°C.



Colour proof The surface color will not fade over the lifetime of the product.



Scratch proof Even knives won't scratch the surface.



Stain proof The surface color will not stain or mark.



Easy-clean The surface is easy to clean.

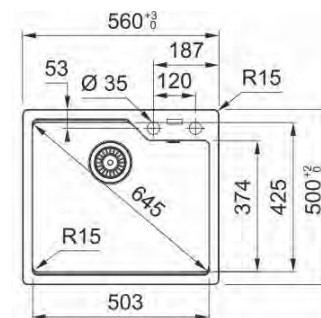


Germ proof Fraganite treated with Sanitized® reduces bacteria and microbe growth by 99%, giving the sink lasting protection.

URBAN RANGE 610 -56 - Fraganite Sanitized Coating Finish

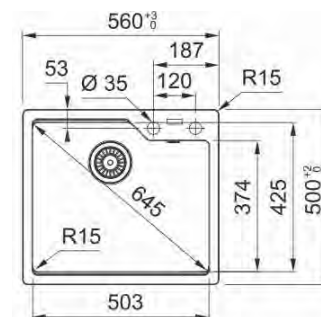


UBG 610-56 3 1/2" WWK ND WRO TH ON



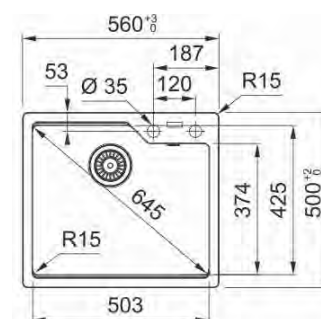
Finish:	Fun:	Dimension: (LxM)mm	Bowl Size: (LxWxD)mm	MRP: Rs.
Onyx	114.0651.602	560x500	503x425x200	14,490/-

UBG 610/210-56 3 1/2" WWK ND WRO TH OA



Finish:	Fun:	Dimension: (LxM)mm	Bowl Size: (LxWxD)mm	MRP: Rs.
Oat Meal	114.0651.597	560x500	503x425x200	13,990/-

UBG 610-56 3 1/2" WWK ND WRO TH ST



Finish:	Fun:	Dimension: (LxM)mm	Bowl Size: (LxWxD)mm	MRP: Rs.
Stone Grey	114.0651.607	560x500	503x425x200	13,990/-

Properties



Impact proof Resistant to impact and thermal shock. Extreme temperature to 280°C.



Colour proof The surface color will not fade over the lifetime of the product.



Scratch proof Even knives won't scratch the surface.



Stain proof The surface color will not stain or mark.



Easy-clean The surface is easy to clean.



Germ proof Fraganite treated with Sanitized® reduces bacteria and microbe growth by 99%, giving the sink lasting protection.

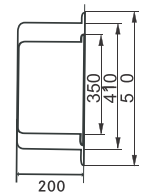
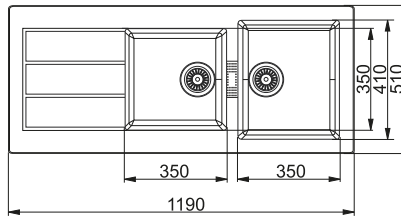
TECTONITE®





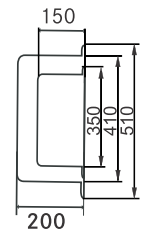
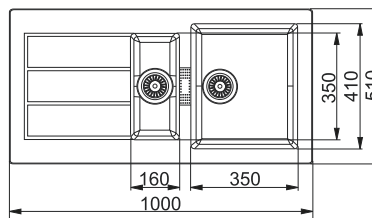
TECTONITE®

Tectonite 621 (46"x20")



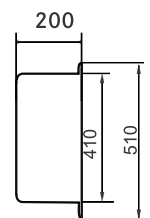
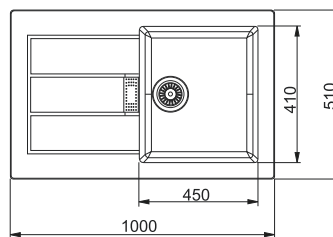
Fun:	Dimension: (LxW) mm/ (inch)	Bowl Size: (LxWxD)mm	MRP: Rs.
CB:114.0253.281	1190x510/46x20	350x410x200 & 350x350x150	22,890/-

Tectonite 651 (40"x20")



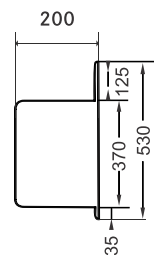
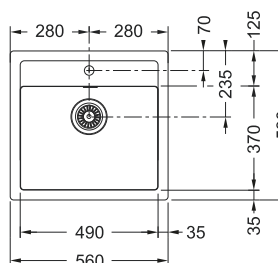
Fun:	Dimension: (LxW) mm/ (inch)	Bowl Size: (LxWxD)mm	MRP: Rs.
CB:114.0253.160	1000x510/40x20	350x410x200 & 160x350x150	19,290/-

Tectonite 611(40"x20")



Fun:	Dimension: (LxW) mm/ (inch)	Bowl Size: (LxWxD)mm	MRP: Rs.
CB: 114.0253.151	1000x515/40x20	450x410x200	17,190/-

Tectonite 610 (22"x20")



Fun:	Dimension: (LxW) mm/ (inch)	Bowl Size: (LxWxD)mm	MRP: Rs.
CB:114.0279.873	560x530/22x20	490x370x200	10,490/-

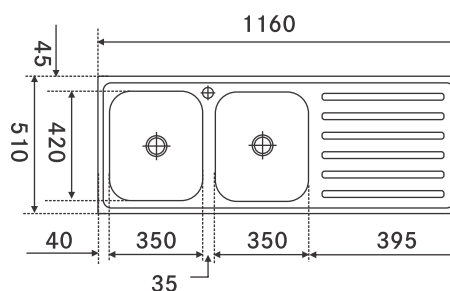
ADRIAN - Microdecor / European Satin Finish





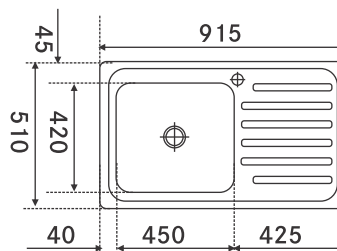
ADRIAN - European Satin/Micro Decor Finish

ADRIAN 621Trendy (46"x20") / AYX 621-116-18 3 1/2" WWK REV WOF NTH



Fun:	Dimension: (LxW) mm / inch	Bowl Size: (LxWxD) mm	MRP: Rs.
101.0258.710	1160x510/46x20	2*350x420x180	19,390/-

ADRIAN 611Omni (36"x20") / AYX 611-90-20 3 1/2" WWK REV WOF



Fun:	Dimension: (LxW) mm / inch	Bowl Size: (LxWxD) mm	MRP: Rs.
101.0258.689	915x510/36x20	450x420x200	11,390/-

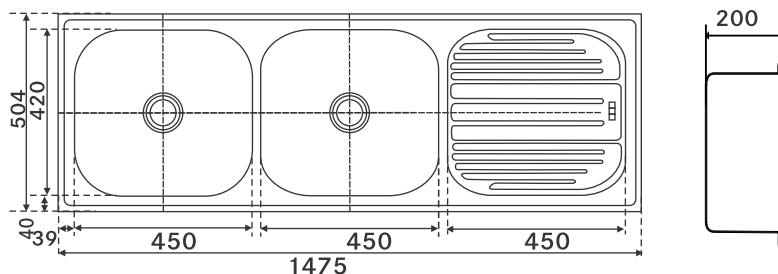


Special Safety Feature Fitted



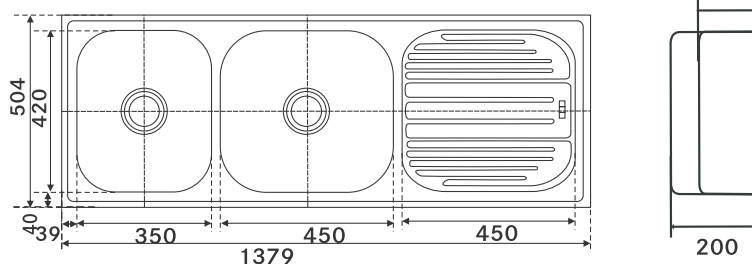
621/651 SERIES - European Satin Finish

621 X Omni (59"x 20") / OMX 621-147-20 3 1/2" WWK REV NOF



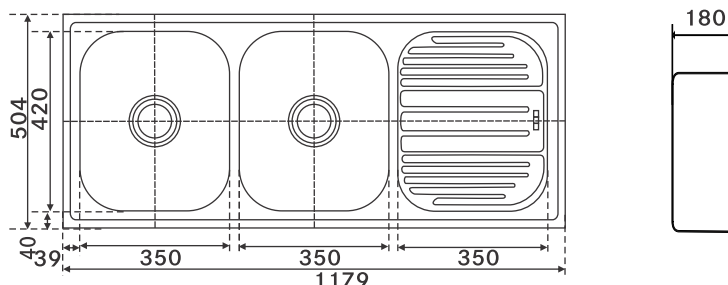
Fun:	Dimension: (LxW) mm / inch	Bowl Size: (LxWxD) mm	MRP: Rs.
101.0153.151	1479x504/59x20	2*450x420x200	22,390/-

621CX Omni (55"x20") / OMX 621-137-20 3 1/2" WWK REV NOF



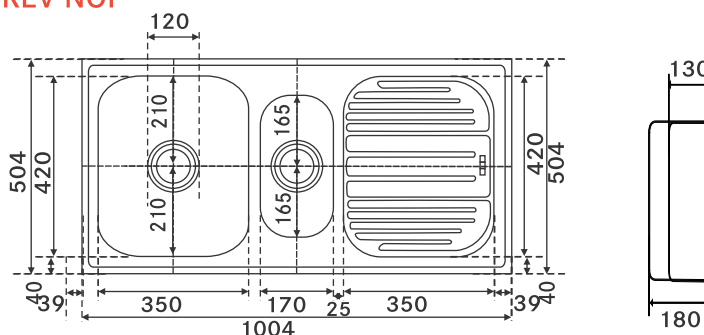
Fun:	Dimension: (LxW) mm / inch	Bowl Size: (LxWxD) mm	MRP: Rs.
101.0153.145	1379x504/55x20	450x420x200/350x420x180	20,090/-

621X Trendy (47"x20") / TRX 621 3 1/2" WWK REV NOF



Fun:	Dimension: (LxW) mm / inch	Bowl Size: (LxWxD) mm	MRP: Rs.
101.0153.143	1179x504/47x20	2x 350x420x180	18,190/-

651X Trendy (40"x20") / TRX 651 3 1/2" WWK REV NOF

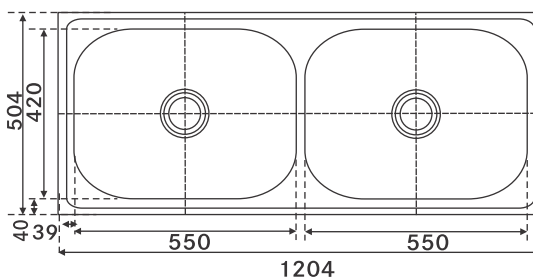


Fun:	Dimension: (LxW) mm / inch	Bowl Size: (LxWxD) mm	MRP: Rs.
101.0153.153	1004x504/40x20	350x420x180/170x330x130	16,890/-



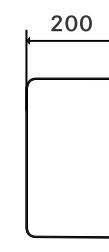
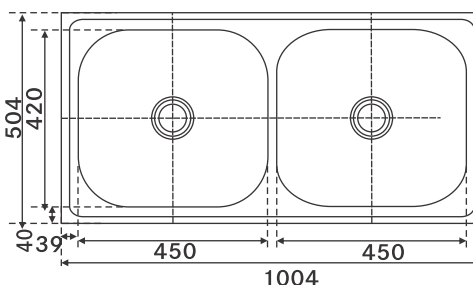
620 SERIES - European Satin Finish

620X Grand (48"x 20") / GRX 620-120-22 3 1/2" WWK NOF



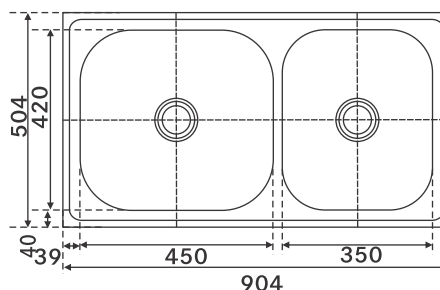
Fun:	Dimension: (LxW) mm / inch	Bowl Size: (LxWxD) mm	MRP: Rs.
101.0153.141	1204x504/48x20	2*550x420x220	22,890/-

620 X Omni (40"x 20") / OMX 620-100-20 3 1/2" WWK NOF



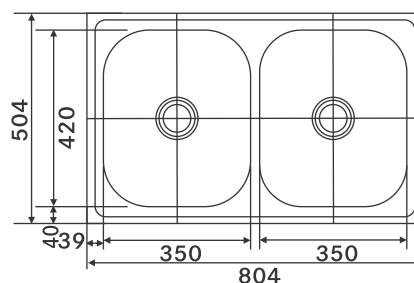
Fun:	Dimension: (LxW) mm / inch	Bowl Size: (LxWxD) mm	MRP: Rs.
101.0153.137	1004x504/40x20	2*450x420x200	18,690/-

620X Omni (36"x20") / OMX 620-90-20 3 1/2" WWK NOF



Fun:	Dimension: (LxW) mm / inch	Bowl Size: (LxWxD) mm	MRP: Rs.
101.0153.130	904x504/36x20	450x420x200 & 350x420x180	16,390/-

620 X Trendy (32"x20") / TRX 620 3 1/2" WWK NOF

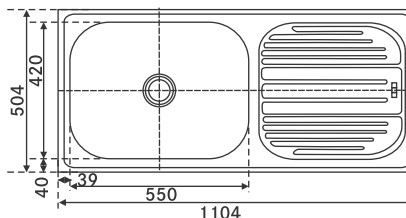


Fun:	Dimension: (LxW) mm / inch	Bowl Size: (LxWxD) mm	MRP: Rs.
101.0153.126	804x504/30x20	2*350x420x180	15,890/-



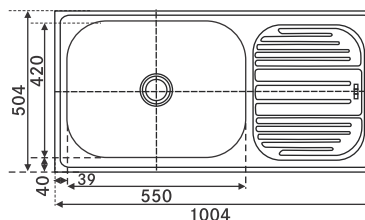
611 SERIES - European Satin Finish

611 X Grand (44" x 20") / GRX 611-110-20 3 1/2" WWK REV NOF



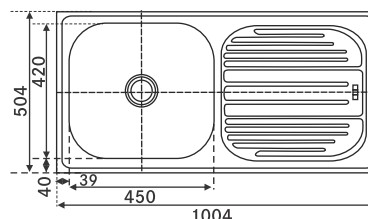
Fun:	Dimension: (LxW) mm / inch	Bowl Size: (LxWxD) mm	MRP: Rs.
101.0153.118	1104x504/44x20	550x420x220	12,490/-

611X Grand (40"x20")



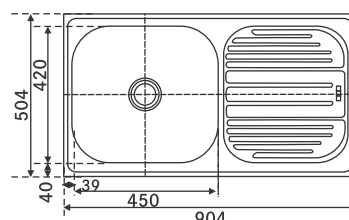
Fun:	Dimension: (LxW) mm / inch	Bowl Size: (LxWxD) mm	MRP: Rs.
101.0613.477	1004x504/40x20	550x420x220	11,290/-

611 X Omni (40" x 20") / OMX 611-100-20 3 1/2" WWK REV NOF



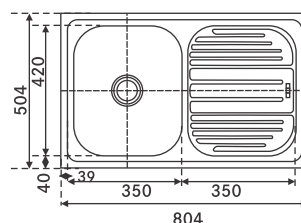
Fun:	Dimension: (LxW) mm / inch	Bowl Size: (LxWxD) mm	MRP: Rs.
101.0153.116	1004x504/40x20	450x420x200	10,790/-

611 X Omni (36" x 20") / OMX 611-90-20 3 1/2" WWK REV NOF



Fun:	Dimension: (LxW) mm / inch	Bowl Size: (LxWxD) mm	MRP: Rs.
101.0153.112	904x504/36x20	450x420x200	10,090/-

611 X Trendy (32" x 20") / TRX 611 3 1/2" WWK REV NOF

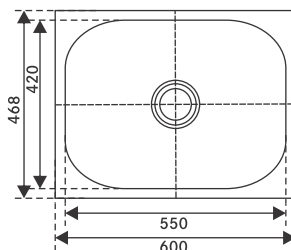


Fun:	Dimension: (LxW) mm / inch	Bowl Size: (LxWxD) mm	MRP: Rs.
101.0153.107	804x504/32x20	350x420x180	8,790/-



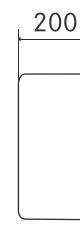
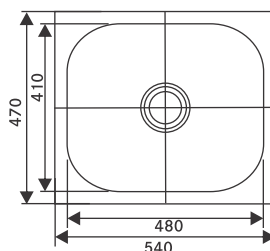
610 SERIES - European Satin Finish

610 X Grand (24"x18") / GRX 610-60-22 3 1/2" WWK NOF ND



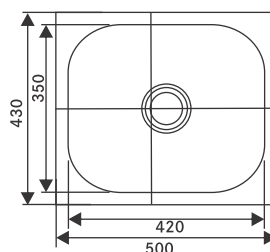
Fun:	Dimension: (LxW) mm / inch	Bowl Size: (LxWxD) mm	MRP: Rs.
101.0153.088	600x468/24x18	550x420x220	8,090/-

610 X Insti (21"x18") / ISX 610 3 1/2" WWK NOF ND



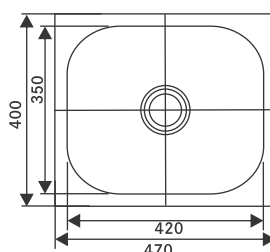
Fun:	Dimension: (LxW) mm / inch	Bowl Size: (LxWxD) mm	MRP: Rs.
101.0153.081	540x470/21x18	480x410x200	6,990/-

610 X Trendy (20"x17")



Fun:	Dimension: (LxW) mm / inch	Bowl Size: (LxWxD) mm	MRP: Rs.
101.0613.632	500x430/20x17	420x350x180	6,290/-

610 X Trendy (19"x16") TRX 610 3 1/2" WWK NOF



Fun:	Dimension: (LxW) mm / inch	Bowl Size: (LxWxD) mm	MRP: Rs.
101.0152.868	470x400/19x16	420x350x180	5,590/-

KITCHEN FAUCETS

Body Material

Bronze (59%-63%), low lead content (0.8% - 1.6%) low residue (<1.5%) – gravity casting or low pressure casting. Most products in the market are sand cased with lots of pinholes and uneven body thickness.

Electroplating

The thickness of the nickel plating is more than international and European standards and more corrosion resistant than others.

Surface chrome plating thickness for Nickel and Chrome

Franke	Nickel > 7.5u	Chrome >0.25 u
International Standard	Nickel > 5 u	Chrome > 0.1u
EN 817 / EN 200		

Cartridge: German Ceramic Cartridge and Longer Life.

Flexible hose: Spanish S/S 304 exible hose, pressure resistant and corrosion resistant.

Aerator: Using top grade Aerator, integrating water saving and water flow.

Fasteners: All using Stainless Steel.

Disclaimer : Inlet pipes supplied with the product are of standard size, may vary from product to product. Check before purchase if any.

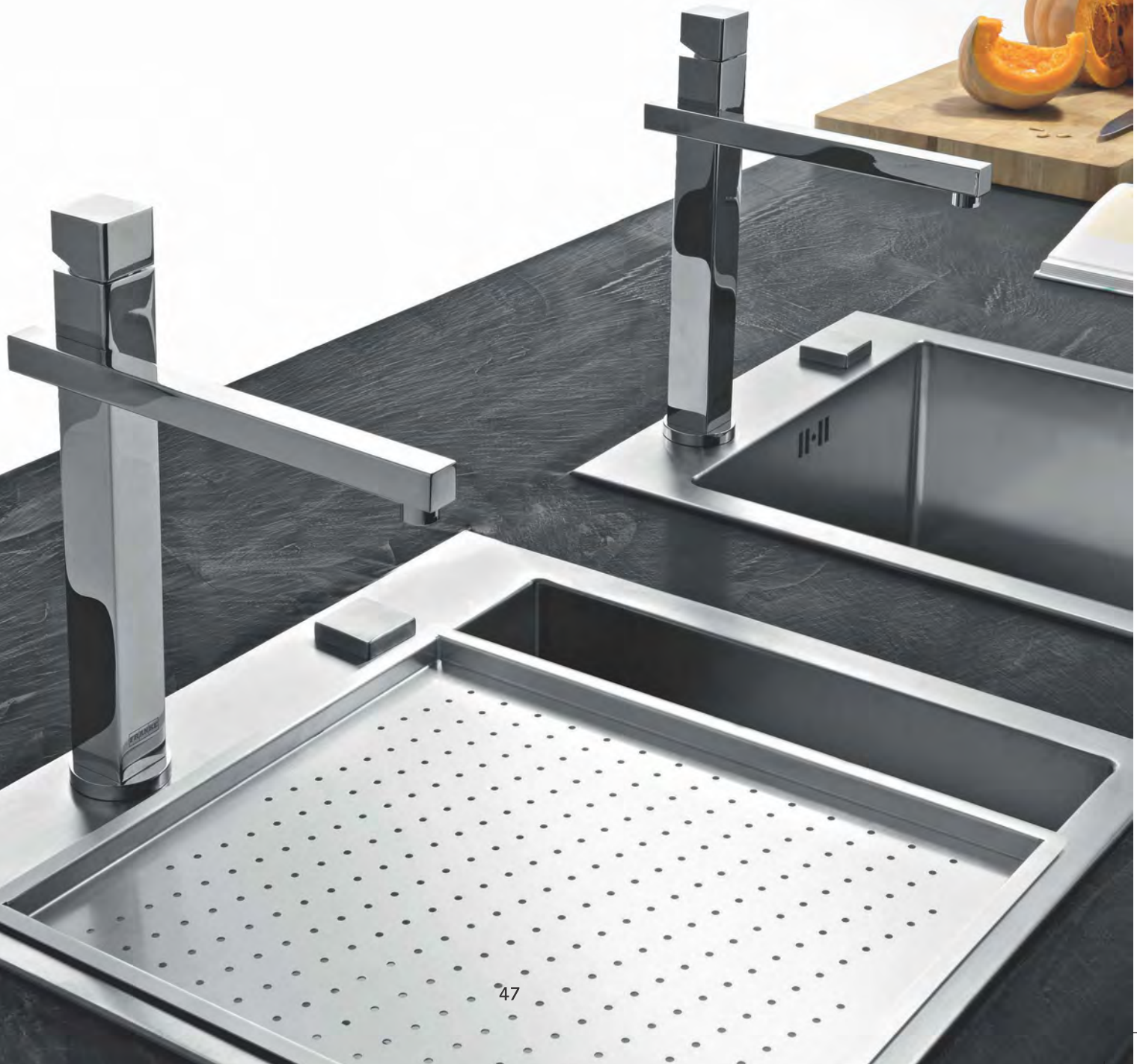




KITCHEN FAUCET PLANAR 8 TORRE SPOUT TOP HP CHROME

Fun 115.0055.126

MRP ₹ 34,990/-



KITCHEN FAUCETS

Novara Plus Spout Top HP ON



Fun	115.0649.636
MRP	₹ 5,990/-
Colour/ Finish	Onyx/ Black

Novara Plus Spray Top HP ON

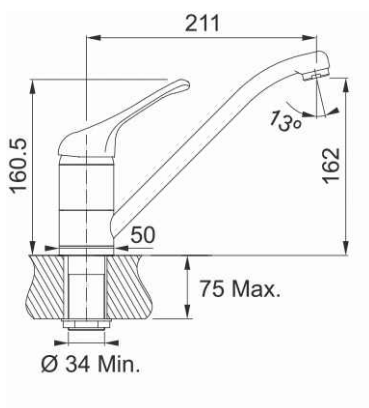


Fun	115.0649.637
MRP	₹ 9,990/-
Colour/ Finish	Onyx/ Black

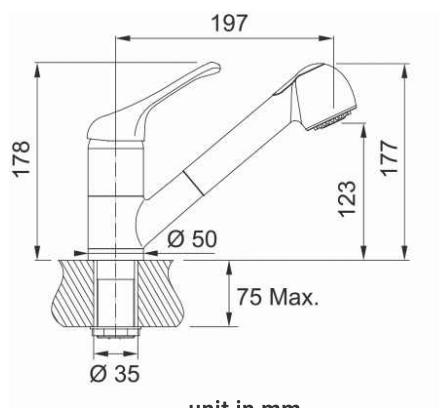
Vega Swivel Spout Side HP CH



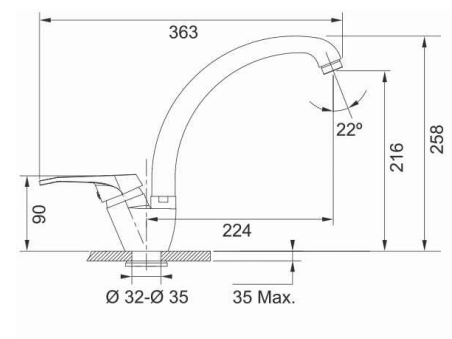
Fun	115.0643.396
MRP	₹ 6,590/-
Colour/ Finish	Chrome



unit in mm



unit in mm



unit in mm



KITCHEN FAUCETS

CT 101S 



Fun 115.0254.611
MRP ₹ 20,890/-
 Pull Out SS Tap

CT 133S 



Fun 115.0254.613
MRP ₹ 16,490/-
 Pull Out SS Tap

CT 103SE 

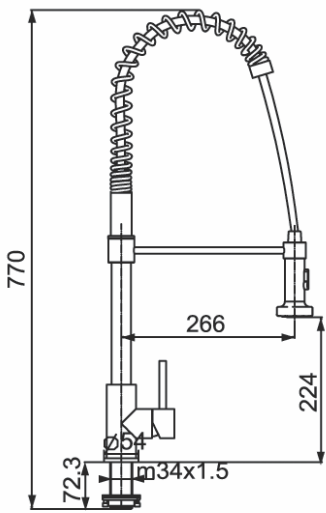


Fun 115.0254.614
MRP ₹ 14,290/-
 SS Tap

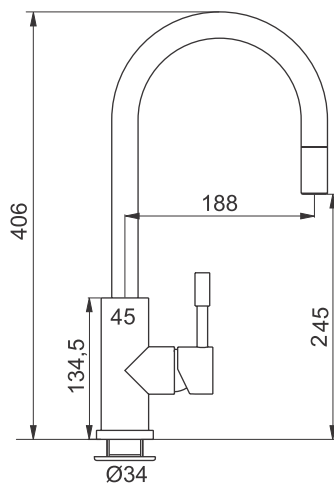
CT 903C



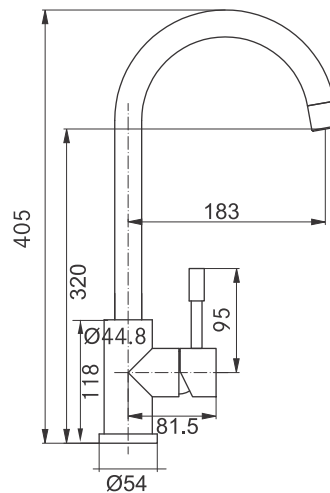
Fun 115.0255.562
MRP ₹ 10,990/-



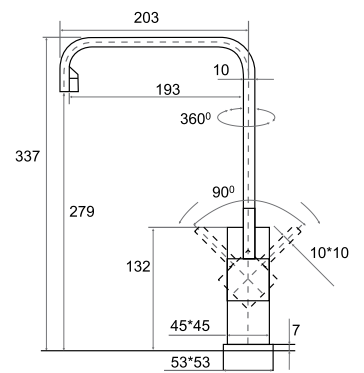
unit in mm



unit in mm



unit in mm



unit in mm



KITCHEN FAUCETS

CT 501C



Fun 115.0255.560
MRP ₹ 7,890/-

**RMD -891
(NOVARA-PLUS SPRAY TOP)**



Fun: 115.0638.302
MRP: ₹ 8,990/-

▷ PULL OUT TAP

RT 505

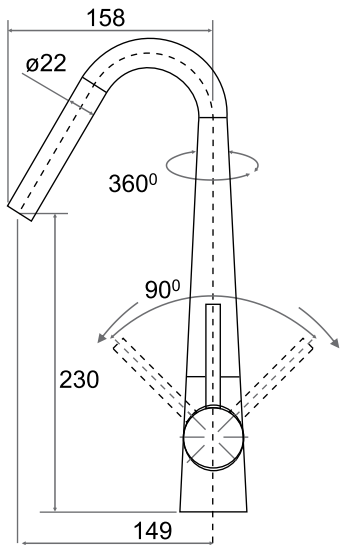


Fun 115.0254.615
MRP ₹ 7,490/-

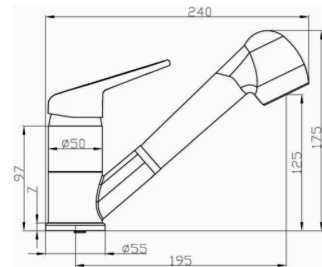
**LLD821
NOVARA-PLUS SPOUT**



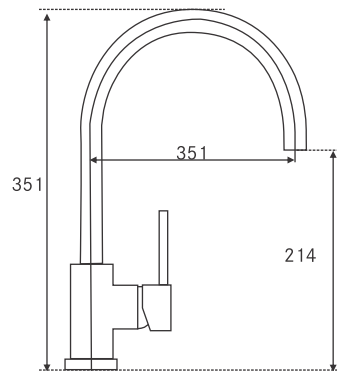
Fun: 115.0638.303
MRP: ₹ 4,790/-



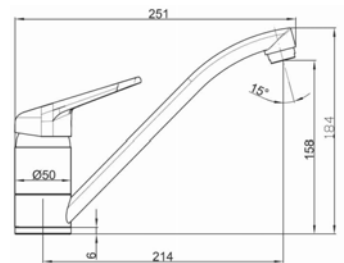
unit in mm



unit in mm



unit in mm



unit in mm



BIO WASTE DISPOSER 0.5 HP/0.75HP/1.25 HP



INTRODUCTION

Franke “Turbo Elite” Waste Disposal Unit is designed to free the kitchen of unsightly and unhygienic household waste and is the essential add-on for ensuring that your kitchen remains looking immaculate.

Thanks to a permanent magnet motor, Franke WDUs reach high speed in a split second, producing more torque per kilo than any other of its type. Whilst running water through the unit, food waste is instantly liquefied into fine particles that are easily flushed through the pipework system.

Includes integrated Air Switch. Includes antibacterial protection for odour control.

This is a slim line model ideal for fitting into 1.5 bowl sinks where space may be limited.

ADVANTAGES

1. MOTOR

Due to the high speed and torque (twisting power) of the permanent magnet motor, most potential jams are eliminated.

A common problem with induction motors is that they have a starting winding and running winding. When the disposer is used improperly, i.e. food waste being deposited before starting the disposer, it is up to the starting winding to overcome the load on the turntable.

This often results in jamming since the starting winding does not have the torque necessary to overcome many jamming situations.

The Permanent Magnet Motor used in the Bio Shield Series disposer reaches full torque on the initial revolution, therefore avoiding the jamming situations as mentioned above.

TORQUE MASTER

Features Balanced turntables and balances armatures as the heart of the system. This along with corrosion proof components provide for less vibration.

2. BIO SHIELD

A Unique Antimicrobial agent is permanently molded into the “Wet” components that helps prevent bacteria-caused odors.

It also inhibits the growth of a wide range of microorganisms.

3. BUILT-IN AIR SWITCH

This model features a Built-In Air Switch Power Option. Turn on your disposer by the power switch or by pushing a button that creates air pressure to turn on disposer. Great option for use with islands.

4. Corrosion Proof

The Number One cause of failure for our competitors’ disposers is corrosion. Corrosion can cause leaks, jams, and allows bigger food particles through holes enlarged by rusting, which can cause clogging of the drain pipes.

Our all “Turbo Elite Series” models have stainless steel metal grinding chamber parts (turntable, swivel impellers, and the grind ring). This makes the Turbo Elite Series disposer corrosion proof.



BIO WASTE DISPOSER 0.5 HP/0.75HP/1.25 HP



Food Waste disposer WDJ33

FUN:	134.0482.061
MRP:	Rs. 15,990/-
Horsepower	0.5 HP
Motor RPM	2600 RPM
Amps	2.25
Motor Type	Permanent
Grinding Ring	CRCA
Swivel Impellers	Stamped SS
Turntable	Stainless Steel
Weight in Kgs	4.23
Type	Manual

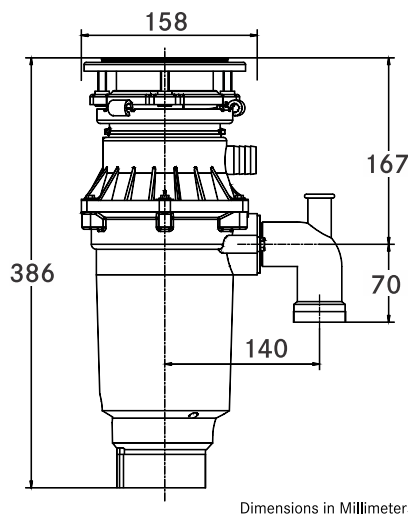
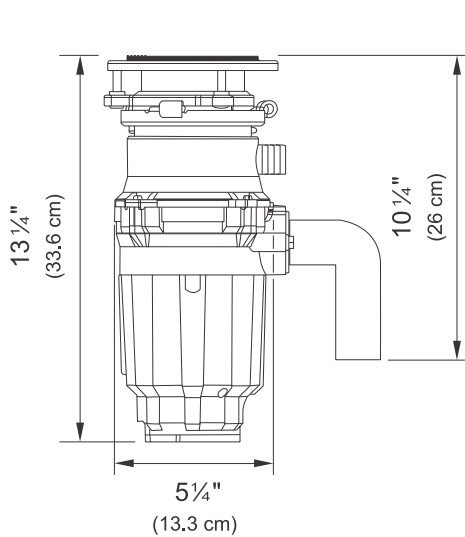
Food Waste Disposer TE-75S

FUN:	134.0547.814
MRP:	Rs. 21,990/-
Horsepower	0.75 HP
Motor RPM	2700 RPM
Amps	3.25
Motor Type	Permanent
Grinding Ring	Stainless Steel
Swivel Impellers	Cast SS
Turntable	Stainless Steel
Weight in Kgs	5.23
Type	Air Switch Included

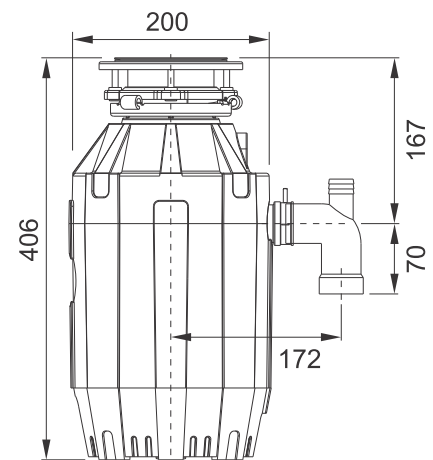
Food Waste Disposer FWDJ125

FUN:	134.0481.767
MRP:	Rs. 25,990/-
Horsepower	1.25 HP
Motor RPM	2700 RPM
Amps	4.5
Motor Type	Permanent
Grinding Ring	Stainless Steel
Swivel Impellers	Cast SS
Turntable	Stainless Steel
Weight in Kgs	7.00
Type	Air Switch Included

Note: FFIPL Offers a Standard warranty of 1 Year from the date of Purchase. Read the user manual carefully before installation.



Dimensions in Millimeters



Dimensions in Millimeters

ACCESSORIES

**Plumbing Kit-1 Bowl Siphon,
Sanitized, fully assembled**



Fun:	MRP: Rs.
112.0551.361	₹: 990/-

For Both Wall & Floor Drain Fixing Include the Extension Pipe

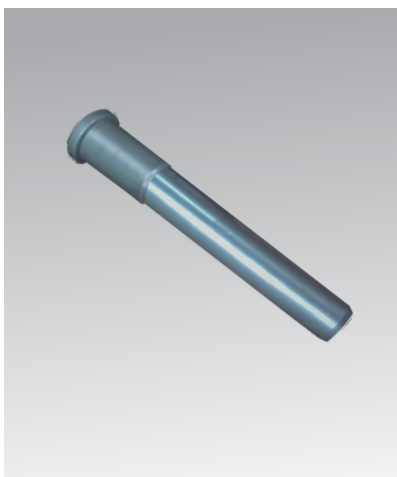
**Plumbing Kit - 2 Bowl Siphon,
Sanitized, fully assembled**



Fun:	MRP: Rs.
112.0551.365	₹: 1,590/-

For Both Wall & Floor Drain Fixing Include the Extension Pipe

Plumbing Kit Extension Pipe



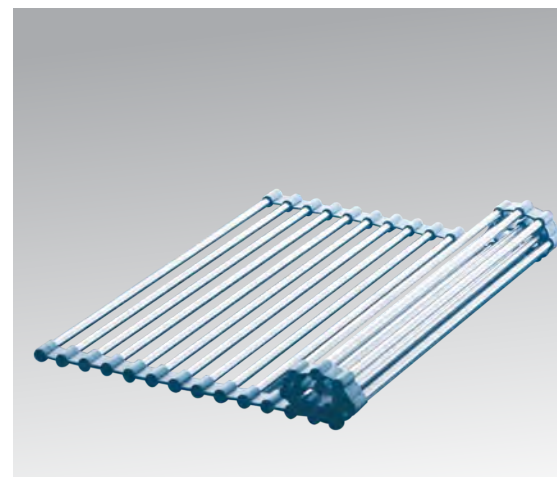
Fun:	
133.0043.685	Part of Plumbing Kit

Twist Drill For Granite Sink



Fun:	Size	MRP: Rs.
112.0473.656	35mm	500/-

Roller Mat



Fun:	Size	MRP: Rs.
112.0050.988	400x400mm	3,500/-

DISCLAIMER

The overall sizes & bowl sizes indicated are in mm and inches, Which are rounded off to the nearest decimal. For Granite Cutting please refer the dimensions from actual product only. Franke will not be responsible for any mistake during granite cutting. Franke reserves the right to alter models, prices and specification without any prior notice.



Regd. Office:

FRANKE FABER INDIA PVT. LTD.

Gat No.: 1086/1/2, Nagar Road,
Sanaswadi, Tal Shirur, Pune - 412208,
Maharashtra, India.

E-mail: ks-appliances.in@franke.com

website: www.franke.com

CIN-U99999PN1997PLC107240

Manufacturing Plant:

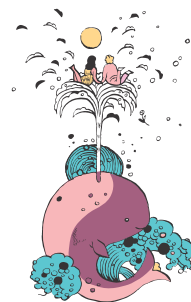
FRANKE FABER INDIA PVT. LTD.

Plot No. L-7, MIDC, Waluj Industrial
Area, Aurangabad-431136,
Maharashtra, India.

E-mail: ks-appliances.in@franke.com

website: www.franke.com

CIN-U99999PN1997PLC107240



Customer Care: All India Toll Free Helpline No.: 1800 209 3484

E-mail: ks-appliances.in@franke.com Follow us on: Facebook/[frankeindia](https://www.facebook.com/frankeindia)



AUTHORISED DEALER



FRANKE

is Swiss

Note: Features and specifications as shown may not be part of standard accessories and are subject to change without prior notice. All dimensions are approximate.