



खीडकी की
पाठशाला[®]



World of Aluminium Windows





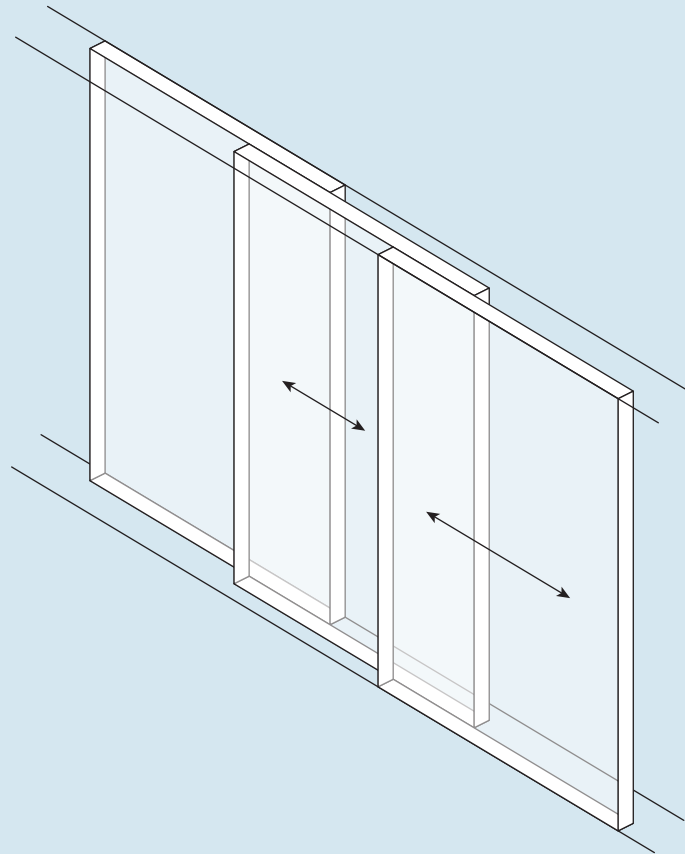
Bhavya Aluminium Furniture is Synonym with Widows & Doors for over 17 years. We are one of the leading manufacturer of apt. solutions for fenestration in Western India and have become a trusted name in industry. We have wide range of style options to suit every home and every form, from sliding windows to casement windows, we provide a fastidious approach, something from the repertoire or develop a new product for each and every price range.

Welcome to the **World of Aluminium Windows - WAW** where you will get quality products combined with premium service, reliability and compliance. A place where our target is providing dependable solution and follow through and not just selling a product. A place where Feedback is matters more than the pitch. A customer is always right. A place where quality is placed above profit. This assiduous approach is not new, It continues since inception, since the day the company is engaged in manufacturing aluminium Windows & Doors to be used in residential and commercial places. Today Bhavya Aluminium is the "go-to source" for the best and the finest Aluminium Windows & Doors.

We strive to give the best quality treatment combined with meticulous craftsmanship for every window and door that comes out of Bhavya.

The Product





Sliding Window

Aluminium sliding windows are a popular choice for quick and effective ventilation. They are useful in areas with limited space that cannot accommodate Casement window sash protruding inside or out. Horizontal slider window opens with the sash sliding left or right. It is an ideal choice for rooms facing walkways, porches or patios.

At Bhavya,

We add a **expert component** "Anti- Lift block" while crafting of the sash, we incorporate many state of the art components that we have developed owing to the years of experience and feedback.

all Bhavya windows :

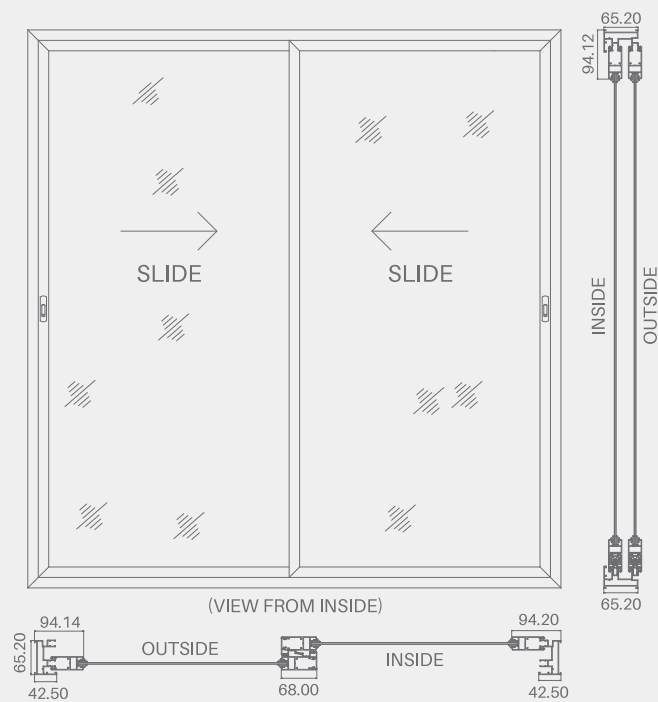
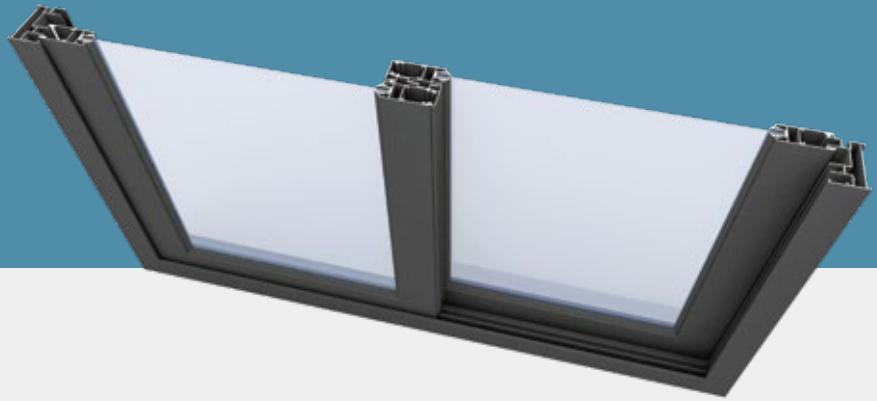
- » Anti- Lift block - prevents manipulation & increases security.

- » Anti Dust Blocks - to reduce the penetration of dust in your home through window track.
- » EPDM Gasket - for Air and Water resistance.
- » Silicon Coated Wool Pile - Increases the life.
- » Double glass (DGU) - be considered for better sound and heat insulation.
- » 'One Way Only' weather flaps (*fitted in all WAW sliding windows*)- Reduce air & water penetration, covers drain slots & minimize insect intrusion.

We use finest quality of hardware sourced from different corner of the world.

Available in vast range of options of Powder Coating, Anodizing and Wooden finish coating for Windows to create best aesthetic combination with surrounding interior/exterior design.

SL-25

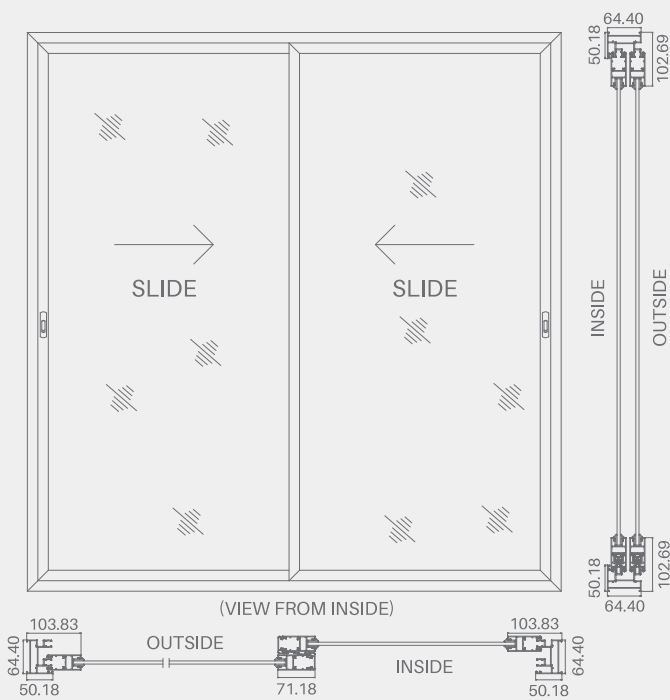
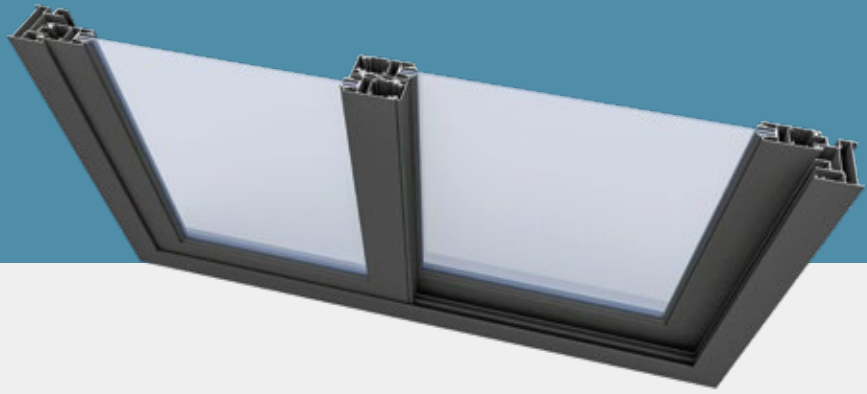


An ideal solution for apartment flats and commercial building offering impressive and functional results.

Shutter Size	25 mm x 63 mm
2 Track	65 mm x 42.5 mm
3 Track	101 mm x 42.5 mm
Window Height	Max. 1800 mm
Sash Weight	Max. 70 Kgs
Hardware	Single / Multipoint Locking
Joinery Detail	45° with corner connector
Glazing Options	Single
Glazing Thickness	5 mm / 6 mm
Mosq. Mesh	Tear resistant Fibre Mesh
Finish	Powder coating (Satin / Textured finish) Wood effect powder coating

This system is resistant to air, water and wind pressure with High Performance Accessories.

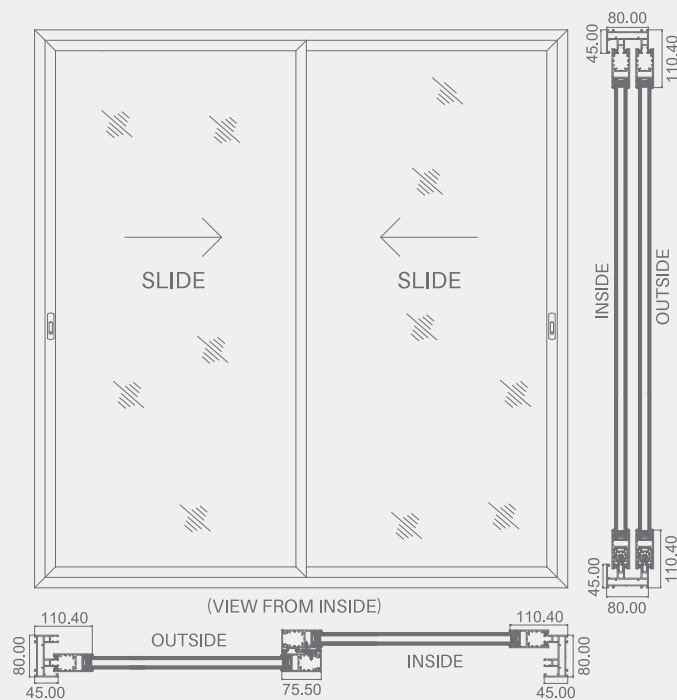
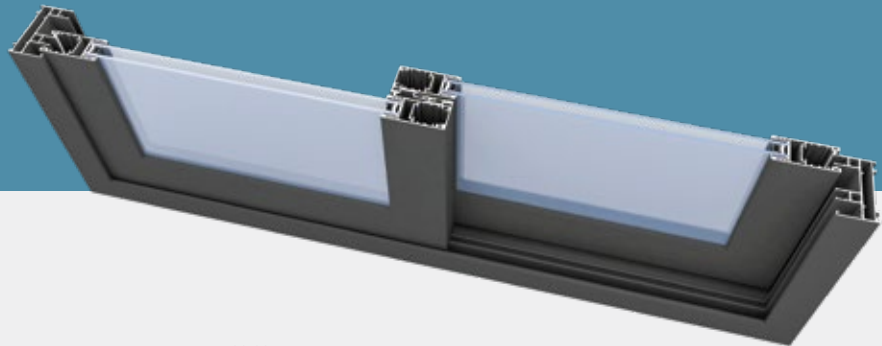
SL-29



An ideal solution for residential bungalow, villa and apartment flats offering impressive and functional results.

Shutter Size	29 mm x 65 mm
2 Track	64 mm x 50 mm
3 Track	100 mm x 50 mm
4 Track W/O. Leg	122 mm x 48 mm
Window Height	2400 mm
Sash Weight	120 Kgs
Hardware	Single / Multipoint Locking
Joinery Detail	45° with corner connector
Glazing Options	Single / Laminated / DGU
Glazing Thickness	Min. 5 mm Max. 20 mm
Mosq. Mesh	Tear resistant Fibre Mesh
Finish	Powder coating (Satin / Textured finish) Wood effect powder coating

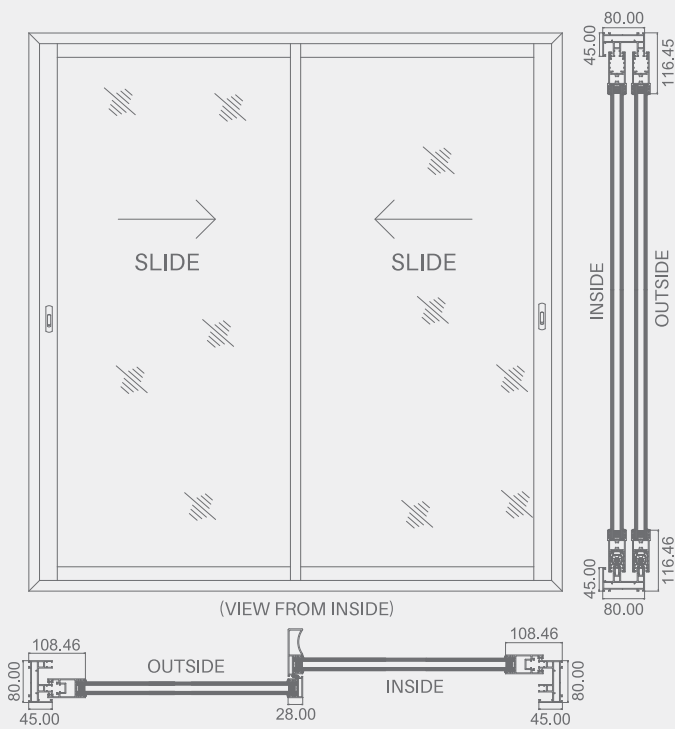
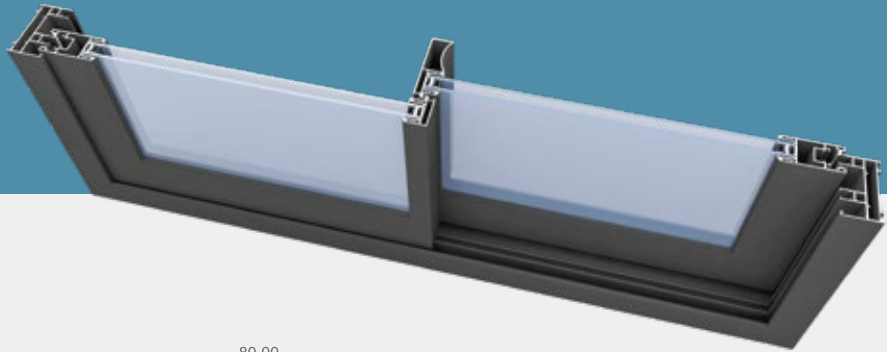
SL-34



SL-34 has been exclusively designed for comfortable interiors and visual aesthetics. It is multi-functional range that can be used for diverse spaces with great technique and supreme care. It is the product for better tomorrow.

Shutter Size	34 mm x 74 mm
2 Track	80 mm x 45 mm
3 Track	126 mm x 45 mm
Window Height	Max. 3000 mm
Sash Weight	Max. 200 Kgs
Hardware	Single / Multipoint Locking
Joinery Detail	45° with corner connector
Glazing Options	Single / Laminated / DGU
Glazing Thickness	Min. 6 mm Max. 24 mm
Mosq. Mesh	Tear resistant Fibre Mesh / S S 304 Safety Mesh
Finish	Powder coating (Satin / Textured finish) Wood effect powder coating

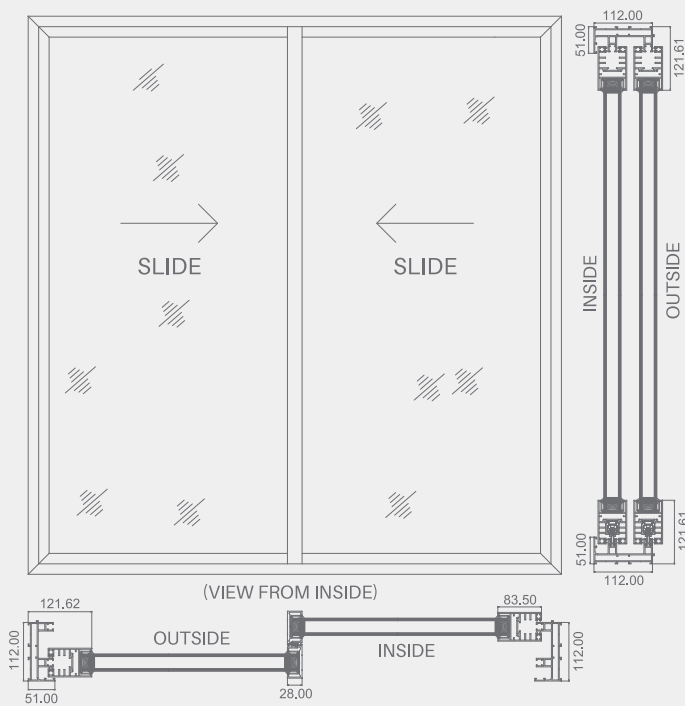
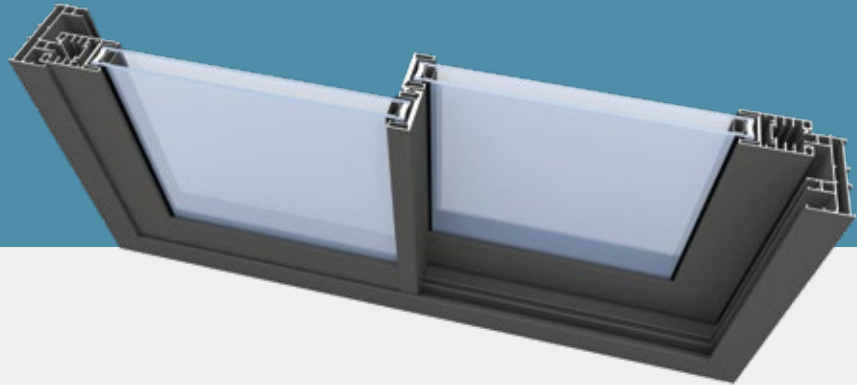
SL-36 Sleek



This is an ideal solution for residences, flats and commercial building offering impressive and functional results with great view. Sleek mullion minimises the impact of the window on view.

Shutter Size	36 mm x 72 mm
Interlock visible	28mm
2 Track	80 mm x 45 mm
3 Track	126 mm x 45 mm
Window Height	3000 mm
Sash Weight	200 Kgs
Hardware	Single / Multipoint Locking
Joinery Detail	90° with screw fixing
Glazing Options	Single / Laminated / DGU
Glazing Thickness	Min. 5 mm Max. 24 mm
Mosq. Mesh	Tear resistant Fibre Mesh / S S 304 Safety Mesh
Finish	Powder coating (Satin / Textured finish) Wood effect powder coating

SL-55

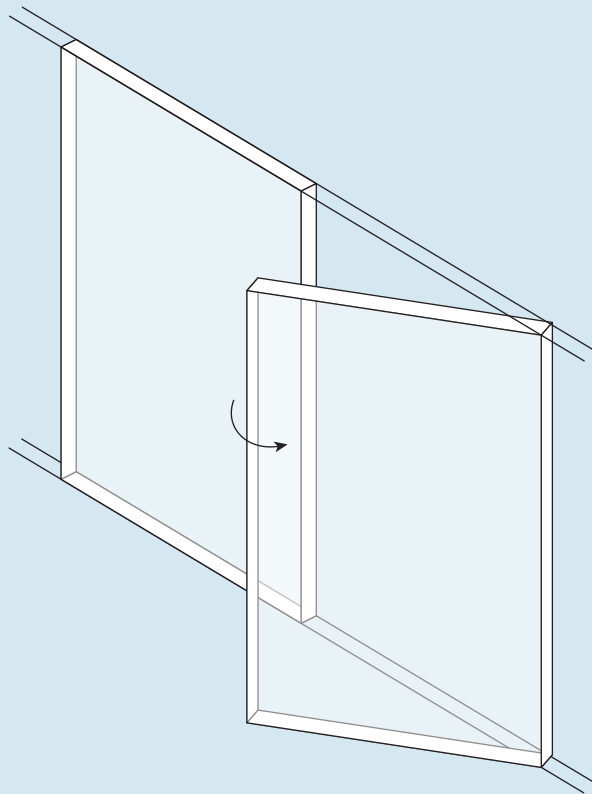


SL-55 has been exclusively designed to achieve highest strength and height. It is capable to withstand sash weight upto 220 kgs and height upto 3600 mm. Available with unique combination of manual and motorised integrated blinds.

Shutter Size	55 mm x 83 mm
Interlock visible	83 mm x Slim 28 mm
2 Track	112 mm x 51 mm
3 Track	181 mm x 51 mm
Window Height	Max. 3600 mm
Sash Weight	Max. 220 Kgs
Hardware	Single / Multipoint Locking
Joinery Detail	45° with corner connector / 90° with screw fixing
Glazing Options	Single / Laminated / DGU / DGU With Intigrated Blinds
Glazing Thickness	Min. 12 mm Max. 44 mm
Mosq. Mesh	Retractable
Finish	Powder coating (Satin / Textured finish) Wood effect powder coating







Casement Window

Casement Windows are outward opening windows.

Casement windows provide a better air tight seal and better sound insulation as compared to sliding windows. It minimizes leakage in the fenestration & improves temperature regulation from inside out and outside in. In hot and humid regions where temperature rises to a smothering 45°C in summer, it reduces the cooling loss through windows/ doors, helping in standard use of the air conditioner and maintaining the temperature and avoiding overload and repetitive use of cooling systems.

Similarly, in cold, dry climates the casement windows seals shut the warmth inside with little to no leak to the outside environment and vice versa

with the outside weather to the comfort of your room, house.

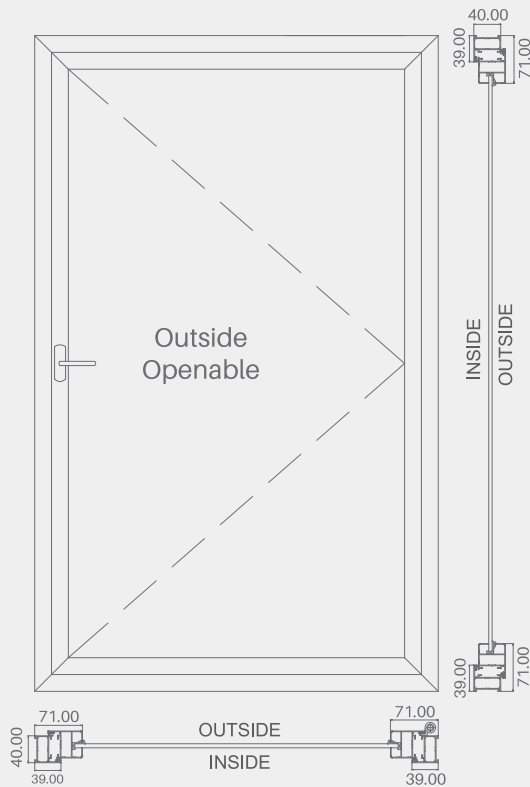
Use of Double glass (DGL) should be considered to achieve better sound and heat insulation. Bhavya

aluminum provides a vast range of options of Powder Coating and Wooden finish coating for

Windows to create best aesthetic combination with surrounding interior/exterior design with no compromise on function.

At Bhavya, we always use EPDM Gasket for Air and Water tightness with Longer Life, a specially engineered wedge to withstand shutter load up to 75kgs for smooth trouble free operation.

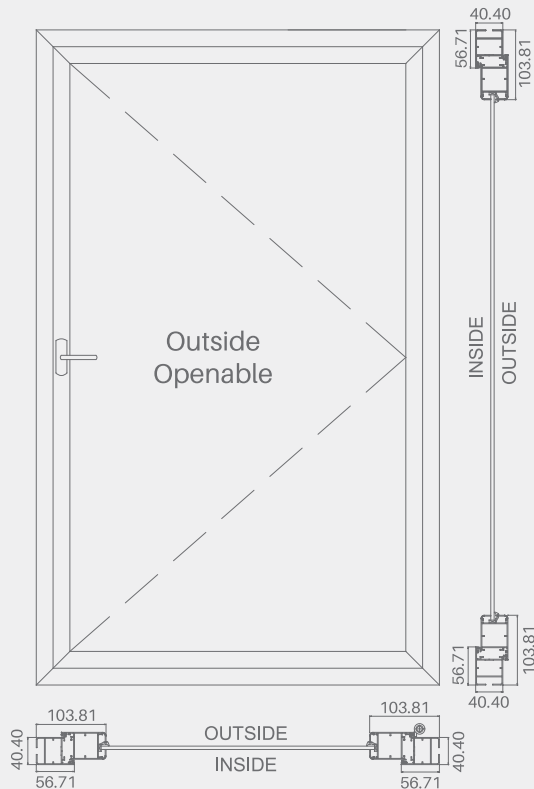
CV-40



CV-40 has been designed for smaller rooms, bathrooms, powder rooms and so on. It is designed taking into consideration the opening available and the quick ventilation needed for smaller rooms.

Shutter	Size 40 mm x 51 mm
Frame	Size 40 mm x 39 mm
Window Height	Max. 1000 mm
Sash Width	Max. 600 mm
Sash Weight	Max. 25 Kgs
Hardware	Single / Multi-point Locking
Hinge	Butt Hinge / Friction Hinge
Joinery Detail	45° with corner connector
Glazing Options	Single
Glazing Thickness	5 mm / 6 mm (W/O. Glazing Clip)
Mosq. Mesh	Roll Down / Retractable
Finish	Powder Coating (Satin / Textured Finish) Wood effect Powder Coating
Opening	Side Hung / Top Hung

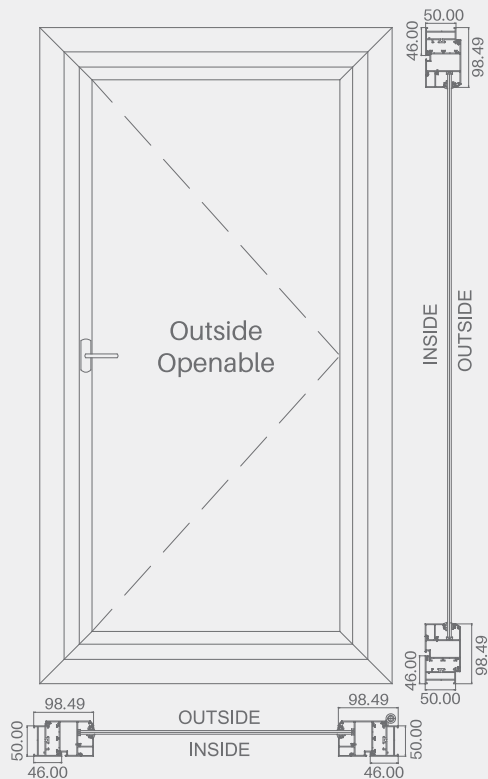
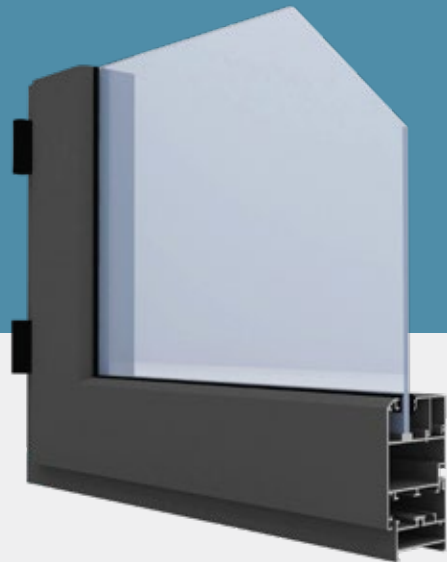
CW-40



An ideal solution for residences, apartment flats and commercial buildings. A specific design to regulate the uncertain weather, temperature and nature.

Shutter Size	40 mm x 66 mm
Frame Size	40 mm x 56 mm
Window Height	Max. 1800 mm
Sash Width	Max. 650 mm
Sash Weight Max.	50 Kgs
Hardware	Single / Multi-point Locking
Hinge	Butt Hinge / Friction Hinge
Joinery Detail	45° With corner connector
Glazing Options	Single / Laminated / DGU
Glazing Thickness	Min. 5 mm to Max. 20 mm (W/O. Glazing Clip)
Mosq. Mesh	Roll Down / Retractable
Finish	Powder coating (Satin / textured finish) Wood effect powder coating
Opening	Side Hung / Top Hung

CW-50

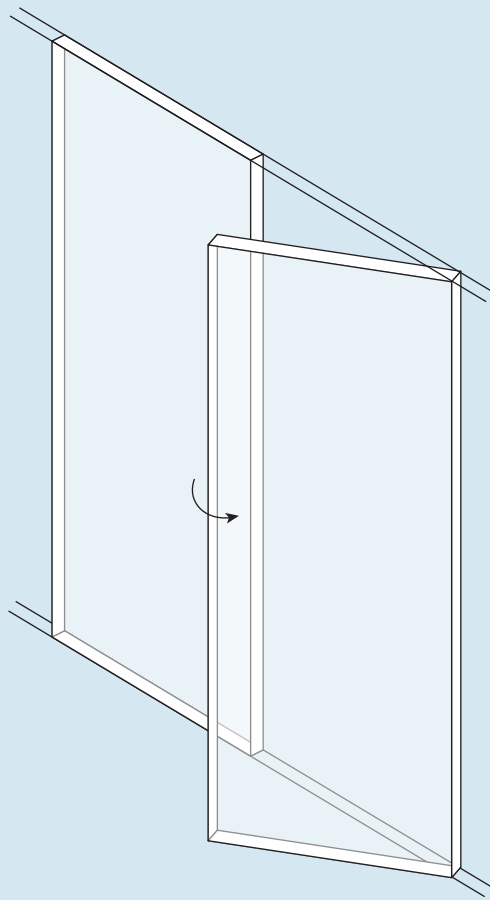


The CW-50 is the epitome in casement windows. Exclusively engineered for luxurious spaces like private villas, hotels, restaurants and corporate offices. This range aims for style, class and luxury. The most important benefit in this system is that, unlike other luxurious, aesthetic grandeur that you buy, this requires little to no maintenance and works and looks seamless for decades to come.

Shutter Size	58 mm x 78.5 mm
Frame Size	50 mm x 46 mm
Window Height	Max. 2000 mm
Sash Width	Max. 700 mm
Sash Weight	Max. 80 Kg.
Hardware	Single / Multi-point Locking
Hinge	Butt Hinge / Friction Hinge
Joinery Detail	45° With corner connector
Glazing Options	Single / Laminated / DGU / DGU With Integrated Blinds
Glazing Thickness	Min. 5 mm to Max. 39 mm (With Glazing Clip)
Finish	Powder Coating (Satin / Textured Finish) Wood effect Powder Coating
Opening	Side Hung / Top Hung







Casement Door

A door is the first welcome to your home. It also carries the last good byes.

At Bhavya, we know the importance of memories, we always frame things we love and keep it in sight.

Keeping this in mind we have crafted a range of Aluminium Doors, which not only is secure and seamless but will last you as long as the memories.

Whether you are looking for a striking, secure front entry or practical side door, we have a wide range of options that meet any unique requirements, made available in customized sizes & finishes.

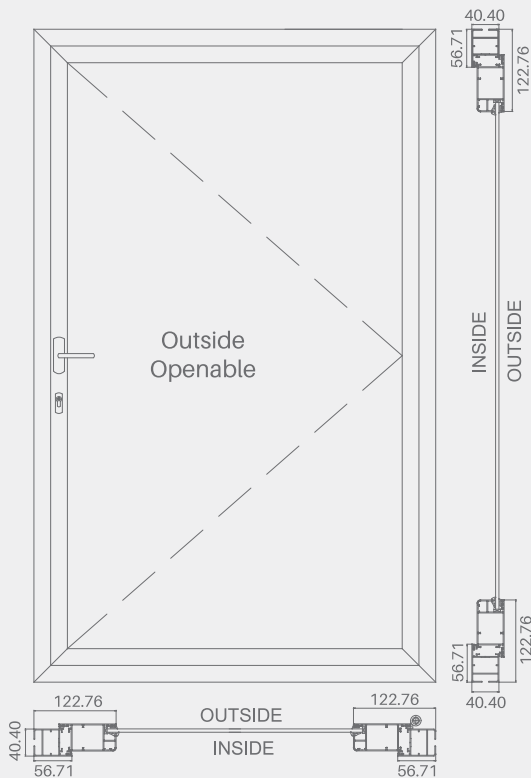
Specially designed wedge is clamped along with reversible hinges to withstand shutter load up to

120 kgs for smooth trouble free operations. The bottom of our doors are sealed with a threshold or bottom sweep gasket.

We can engineer swing doors, with an option of using floor springs. Siliconized EPDM gaskets are excellent for air and water tightness. The EPDM gasket also lasts almost 10 times more than other sealants in market.

Double shutter style for swing doors to prevent dust ingress. Wide Range of colors available through Powder coating process and a variety of glazing options available. Concealed fixings for ease of installation.

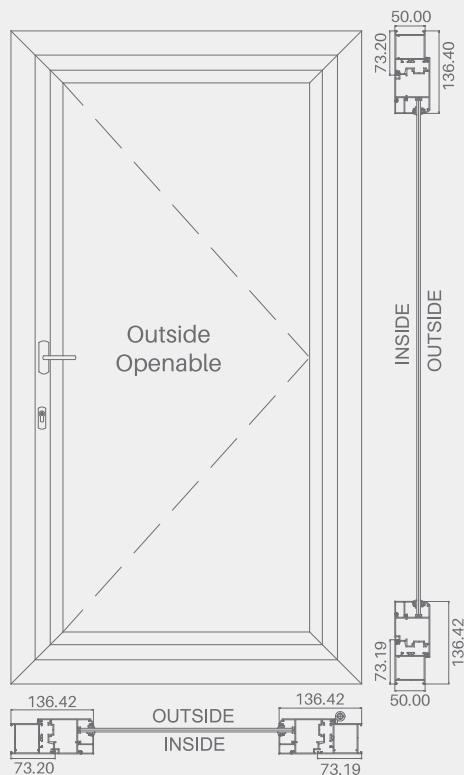
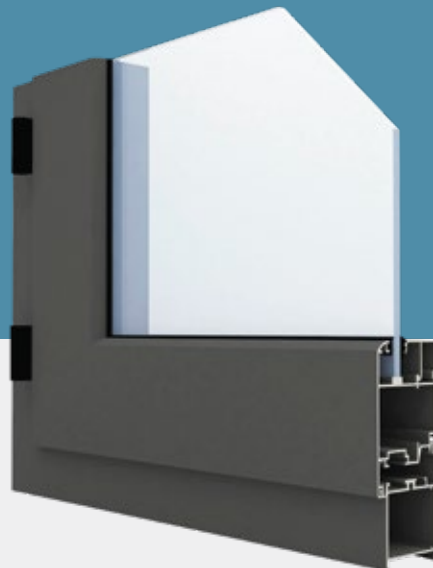
CD-40



This is an ideal solution for residences, apartment flats and commercial building offering impressive looks and functional excellence.

Shutter Size	40 mm x 85 mm
Frame Size	40 mm x 56 mm
Window Height	Max. 3000 mm
Sash Width	Max. 1100 mm
Sash Weight	Max. 100 Kgs
Hardware	Single point Locking
Hinge	Butt Hinge
Joinery Detail	45° with corner connector
Glazing Options	Single glass / HPL sheet
Glazing Thickness	Min. 4 mm to Max. 8 mm (W/O. Glazing Clip)
Mosq. Mesh	Roll Down / Retractable
Finish	Powder coating (Satin / Textured finish) Wood effect powder coating
Operating	Side hung

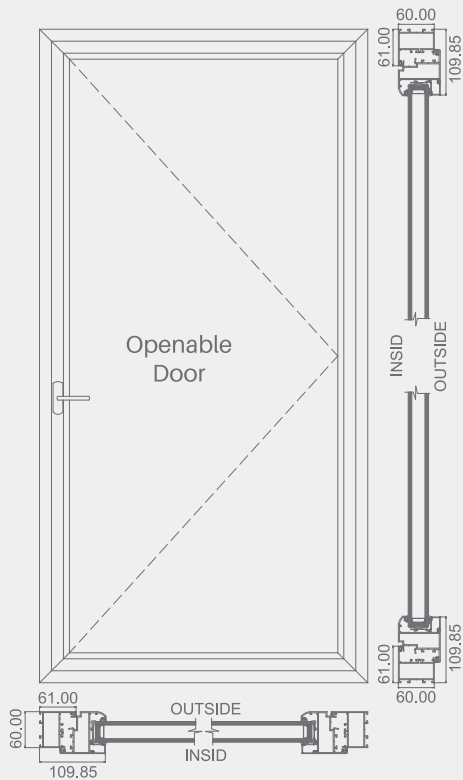
CD-50



CD-50 is exclusively designed for bigger door openings and is compatible to fit safety glass and glass with integrated blinds.

Shutter Size	58 mm x 92.5 mm
Frame Size	50 mm x 73 mm
Window Height	Max. 2400 mm
Sash Width	Max. 1200 mm
Sash Weight	Max. 120 Kg.
Hardware	Single / Multi-point Locking
Hinge	Butt Hinge
Joinery Detail	45° with corner connector
Glazing Options	Single / Laminated / DGU / DGU With Integrated Blinds
Glazing Thickness	Min. 5 mm Max. 39 mm (W/O. Glazing Clip)
Finish	Powder coating (Satin / Textured finish) Wood effect powder coating
Operating	Side hung

CD-60



CD-60 is exclusively designed & engineered for heavy industrial application, recurring use over years and inside/inward opening.

Shutter Size	70 mm x 77 mm
Frame Size	60 mm x 61 mm
Sash Width	Max. 1200 mm
Window Height	Max. 2400 mm
Sash Weight	Max. 120 Kgs
Hardware	Single / MultiPoint Locking
Hinge	Butt Hinge
Joinery Detail	45° with corner connector
Glazing Options	Single / Laminated / DGU / DGU With Integrated Blinds
Glazing Thickness	Min. 5 mm to Max. 39 mm (W/O. Glazing Clip)
Finish	Powder Coating (Satin / Textured Finish) Wood effect Powder Coating
Opening	Side Hung



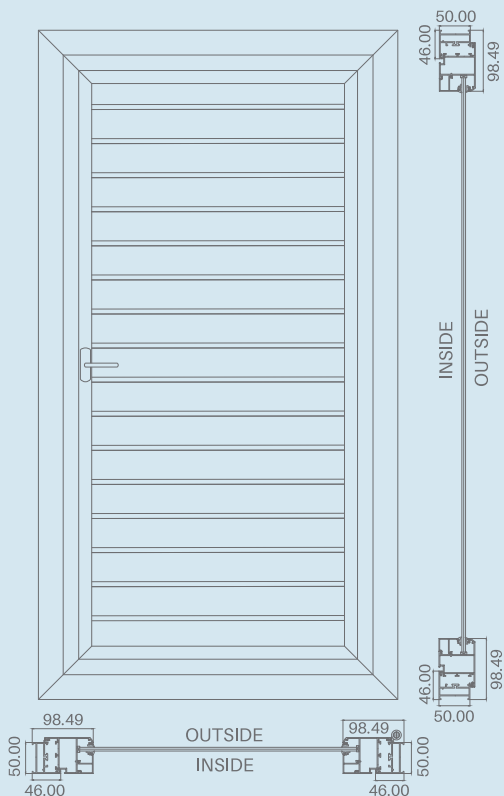
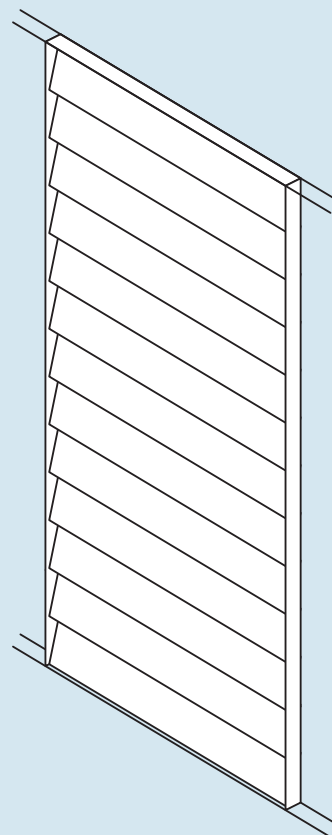


Movable Louvers Window

Windows with fixed opening shutters, with options of partial or total adjustable and openable louvers can be manufactured on requirement.

Openable louvers are provided with opening adjusters which gives freedom of deciding the amount of ventilation/light required.

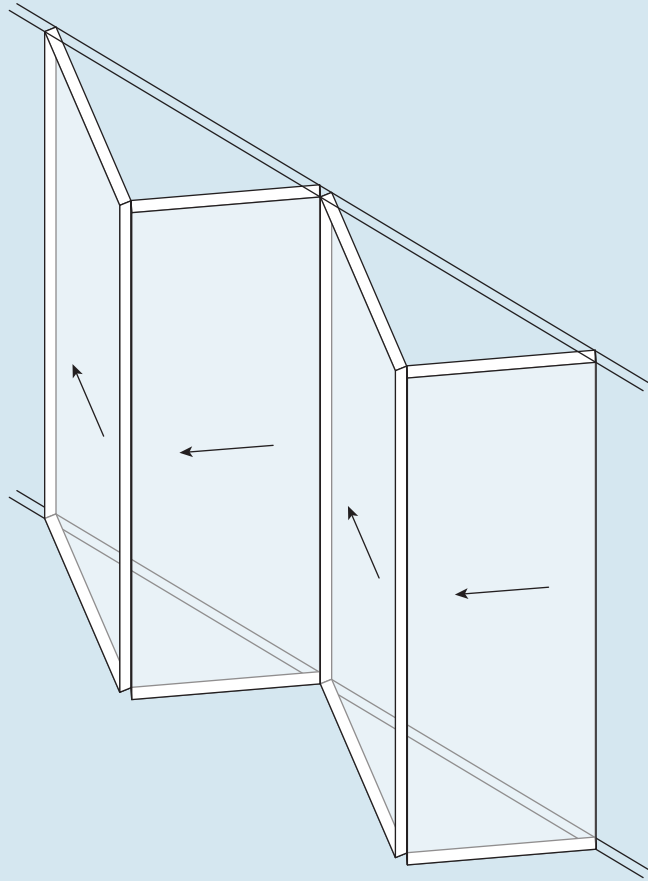
Overlapping profiles are fitted with nylon brushes for openable louvers to avoid dust ingress when louvers are closed. Wide range of European handles / fittings to choose from.



CWL-50

Shutter Size	58 mm x 78.5 mm
Frame Size	50 mm x 46 mm
Sash Width	Max. 700 mm
Window Height	Max. 2000 mm
Sash Weight	Max. 80 Kgs
Hardware	Single / Multi-point Locking
Hinge	Butt Hinge / Friction Hinge
Joinery Detail	45° with corner connector
Glazing Options	Aluminium Movable Louvers
Finish	Powder Coating (Satin/Textured Finish) Wood effect Powder Coating
Opening	Side Hung





Bi-Fold Door

Bi-fold systems are the perfect way for maximum opening of your home and bringing it close to nature. At Bhavya Aluminum we have engineered and manufactured aluminium Bi-fold doors known for its reliability, design and outstanding performance . Our bi-fold system

expand your living area by opening of doors and folding on the walls aside. It occupies minimum space by folding onto one another. With this, you can create a panorama opening without any visual obstruction.

SF-70

Glass Options : 8 mm - Single Glaze, 26 mm - Double Glaze, 11.52 mm - Laminated, 30 mm with Integrated blinds.

We try and achieve the maximum integration in style by using modern and seamless options to color/ anodize / galvanize your door.

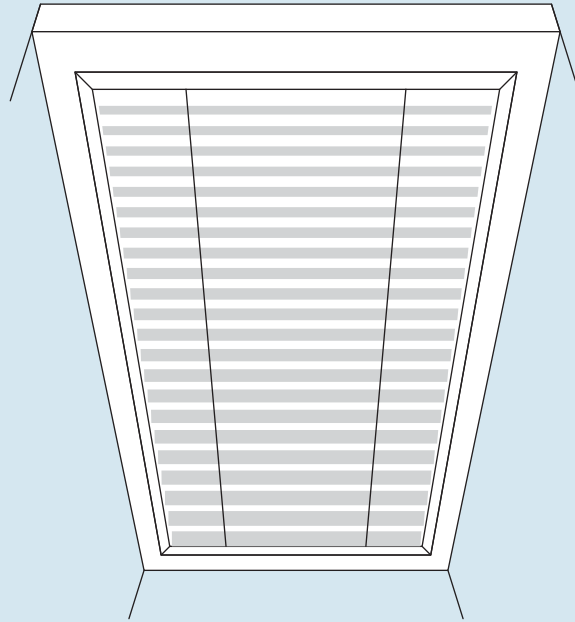
Opens outside, saving space on the inside. Wide range of handles, locks and accessories to make it a perfect fit for the design. Uniquely designed handle option.

Stylish and reliable concealed sliding mechanism. High performance as standard.

Shutter Width	70 mm
Frame Width	70 mm
Door Height	Max. 3000 mm
Corner Details	45° cut with corner connector
Finish	High quality Powder coating and wood finish with specific performance guarantee.

Optional Mosquito mesh





Sky Light

Sky Lights are the epitome of Unique Systems that we engineer at Bhavya.

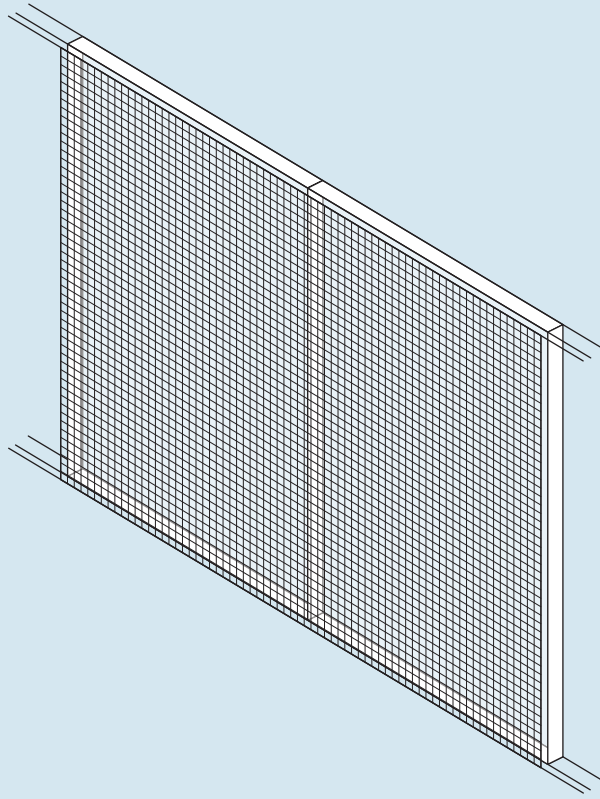
Bhavya Skylights not only increases the perceived height of the structure without any civil alterations, which is the best low cost alternative than raising the whole roof, but also is gate way to the endless sky above, be it sunshine, dark clouds that pour rain or the pink/yellow sky during golden hours. If possible to bring these marvelous gifts of nature in your house. We highly recommend, no matter the region or place, a skylight is an answer to questions you haven't have asked yet.

Sealed between Two Sentry Laminated Safety Glass, this skylight is made like a tank, withstanding almost all the perils of nature with out a hiccup.

SKL-40

Frame Size	40 mm x 74 mm
Panel Width	Max. 1100 mm (Single Panel)
Panel Length	Max. 3000 mm (Single Panel)
Joinery Detail	45° With Corner Connector
Glazing Options	Laminated / Laminated DGU With Integrated Blinds
Glazing Thickness	Min. 13.52 mm to Max. 59 mm
Finish	Powder Coating (Satin/Textured Finish) Wood effect Powder Coating



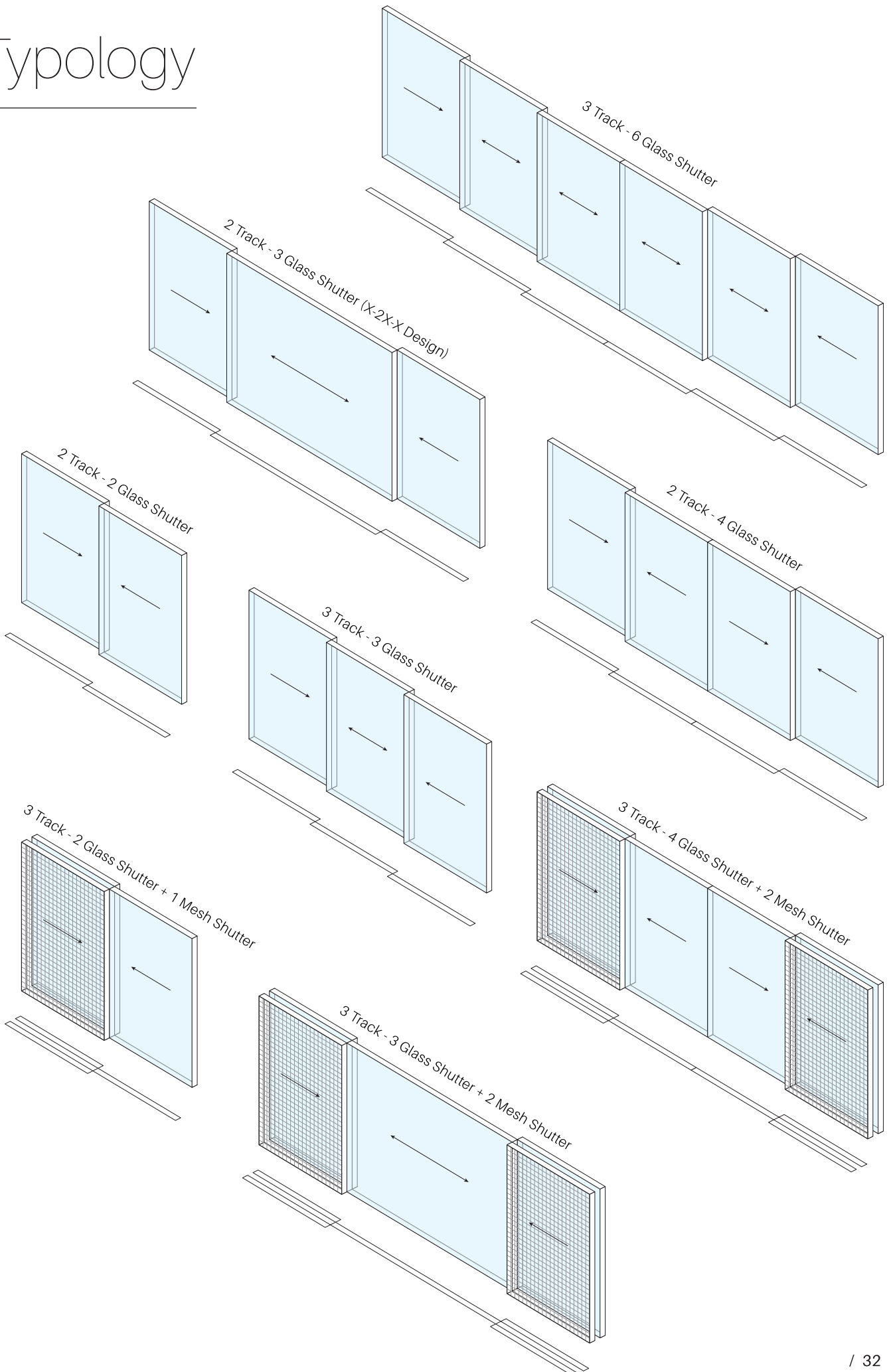


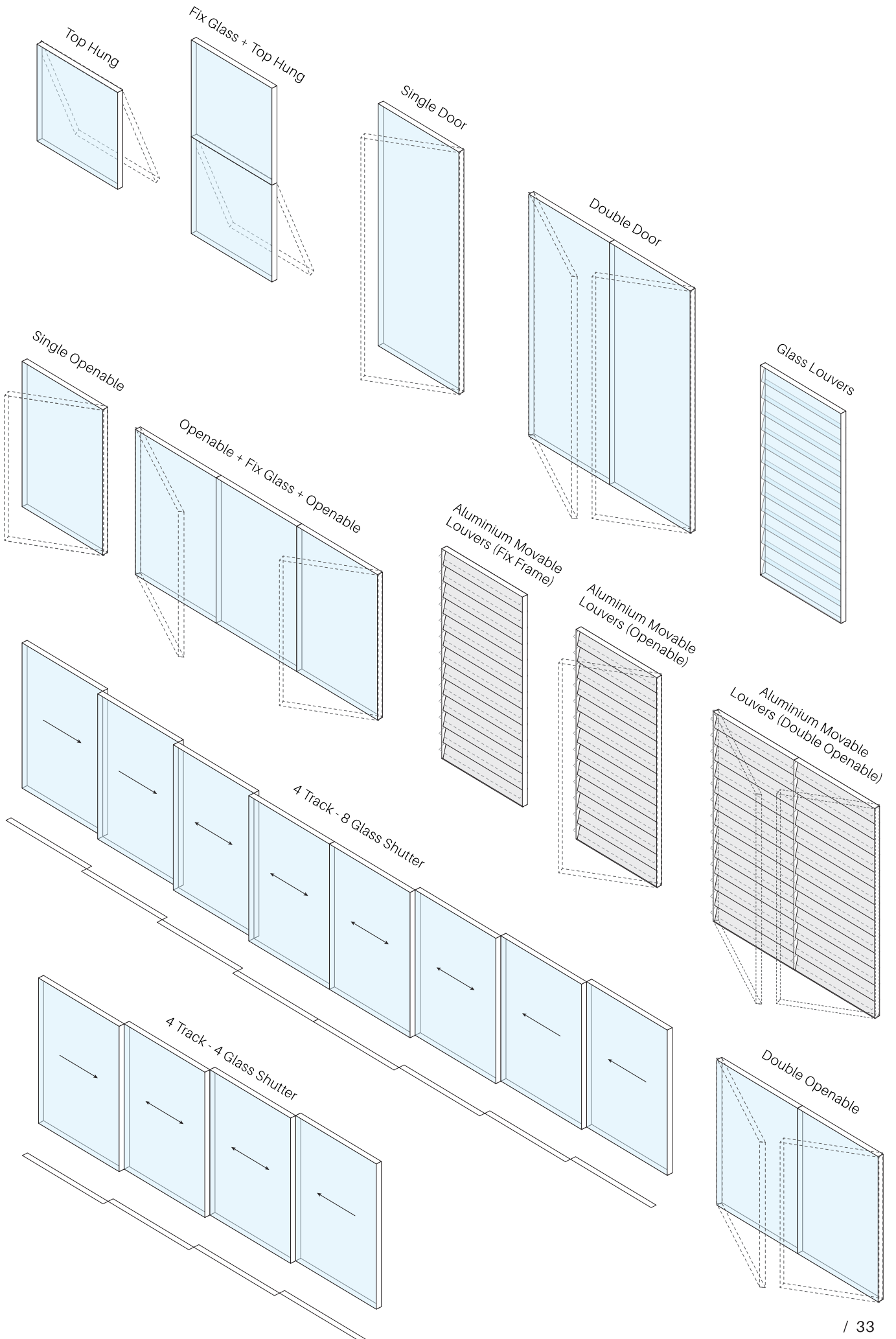
Retractable Mosquito Mesh

Bhavya Aluminium supplies a range of made-to-measure Mosquito Mesh/Fly Screen products for windows and doors Such as Sash fitted and Horizontal slider. These alternative methods of fly screens are ideal Protection against flies, mosquitos, bees, wasps, midges and other flying insects from entering both domestic and commercial properties. Fly screens also act as an effective filter against dust, pollen and other pollutants.

Our innovative screen solutions are ideal for French, bi-fold, sliding doors and windows. We provide various fitment options add up to the aesthetics of your Home Interiors without disturbing the purpose of window and door, to provide free flow of air, light and good outward visibility. We do it to precise measurements ensuring that there is an exact window fit.

Typology

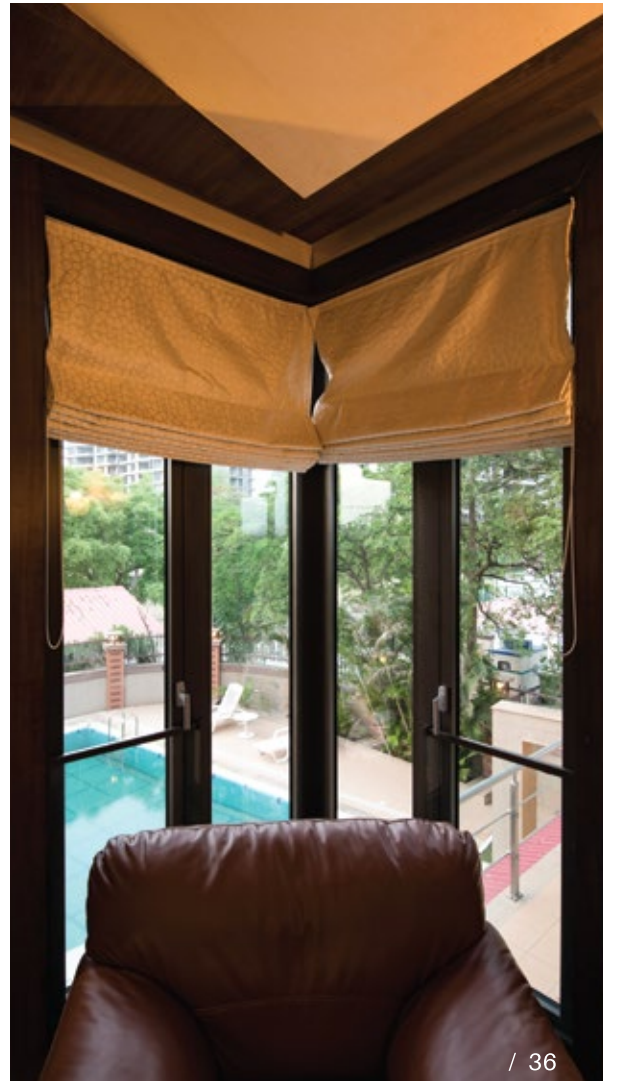




Projects

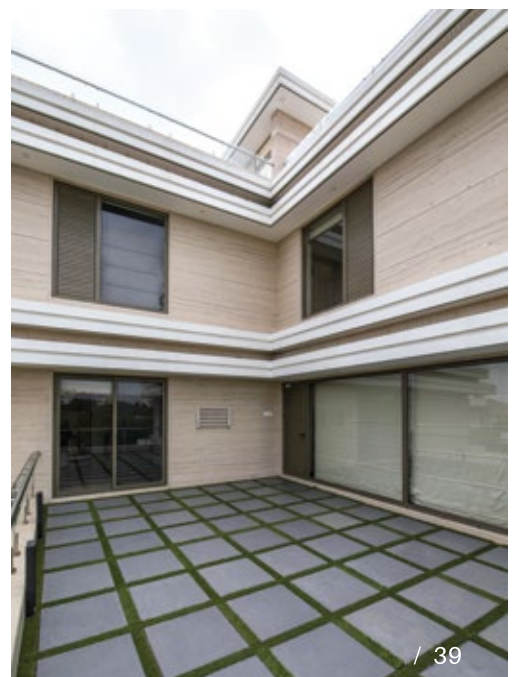














From :



Bhavya
ALUMINIUM
FURNITURE

10 / Sardar Industrial Estate,
Opp. Equity Hyundai Car Showroom,
Adj. lane to Satyam Park, 80 feet Road,
Rajkot-360 003. Gujarat-India.

M : +91 98257 15465
T : +91 281 2384045

E : info@bhavyaindia.co.in
W : www.bhavyawindow.com
www.wovblinds.com



Production & Headoffice :

- Rajkot

Office :

- Ahmedabad

Channel Partner Gujarat :

- Jamnagar - Vadodara - Surat

Channel Partner in India :

- Mumbai - Raipur - Siligudi
- Indore - Jaipur - Guwahati
- Hyderabad - Delhi - Bengaluru

Global Channel Partner :

- Paris, France
- Seychelles

Channel Partner :